

INGERSOLL-RAND®

Automotive Power Tools



INGERSOLL-RAND®
PROFESSIONAL TOOLS

Table of Contents

Introduction	1	Air Hammers	19	Electric Impact Wrenches	43
Air Ratchets	4	IR115	21	IR8005	44
IR103	6	IR116	21	IR8049	44
IR1033	6	IR117	21	IR8053	45
IR104	6	IR121	21	IR8055	45
IR107	6	IR121K6	21	IR8056	45
IR1077	6	IR125	22	IR8062	45
IR108	7	IR132	22	Air Compressors	46
IR1088	7	IR115K, IR116K, IR117K	22	Reciprocating Compressors	
IR109	7	IR116 K5	22	Model 2475	47
IR1099	7	Air Cutting Tools	23	Model 2545	47
IR111	7	IR301	25	Model 7100	47
IR1111	7	IR302	25	Rotary Compressors	
Air Impact Tools	8	IR307A	25	Model EP7.5	48
IR205	10	IR308	25	Making Your System Complete	48
IR206	10	IR325	26	Selecting the Right Compressor	49
IR207	10	IR326	26	Accessories	50
IR211	10	IR344	26	Tune-Up Kits	51
IR212	11	IR429	26	Protective Tool Boots	52
IR231	11	IR7802S	27	Couplers	52
IR231-2	11	Accessories	27	Recoil Hoses and Fittings	53
IR235	11	Kits	28	Lubricants	54
IR244	12	Air Finishing Tools	29	Blow Guns	55
IR244-2	12	IR310	31	Filters, Regulators, and Lubricators	56
IR2131	12	IR311A	31	Combination Units with Guage	56
IR2131S-2	12	IR312	31	Individual Units	56
IR252	13	IR313	31	Combination Over/Under Filters-Regulators	57
IR255A	13	IR314	32	Inline Series Filters-Regulators	57
IR261	13	IR315	32	Liquidator™ Filters/Dryers	57
IR261-3	13	IR317	32	Pullers and Hoists	58
IR261-6	13	IR318	32	P-Series Pullers	58
IR2161	14	IR319	33	C-Series Pullers	58
IR2161-6	14	IR327	33	PT-8-Trolley Series	58
IR271	14	IR328A	33	SL Lever Chain Hoist	60
IR280	14	IR351	33	SM Manual Chain Hoist	61
IR280-6	15	IR352	34	Warranty Information	62
IR280-S6	15	IR354	34	Operation and Maintenance	62
IR285	15	IR355	34	Service and Parts Distributors	63
IR285-6	15	IR359	34	Contact Information	64
IR285-S6	15	IR4100 Series	35		
IR290	15	IR4151	36		
IR290-S	15	Accessories	36		
IR293	16	Air Drills/Screwdriver	37		
IR293-S	16	IR371	39		
IR295	16	IR7801	39		
IR295-S	16	IR7801KC	39		
IR2171	16	IR7802	39		
Accessories	17	IR7802R	40		
		IR7803	40		
		IR7803R	40		
		IR7804R	40		
		IR7806	41		
		IR7806KC	41		
		IR7807R	41		
		Accessories	42		

Tool Rating System



Standard Duty

A durable tool used for general shop applications, offering a good balance between performance and economy.



Heavy Duty

A high-quality tool that delivers more power and added features for more frequent or demanding applications.



Super Duty

Top-quality tools, exceeding all requirements for the most demanding applications. Engineered with special features for top power, speed control, accuracy, and comfort.



Ultra Duty

An exceptional, new-technology tool that redefines the standards of performance.

Tool Warranty

Ingersoll-Rand tools are built with the finest materials and care to deliver more power, speed, and durability. The Ingersoll-Rand warranty, your assurance of top quality, accompanies all equipment and also appears on page 62.

All Ingersoll-Rand automotive service tools are backed by a one year limited warranty against defects in materials and workmanship.

Be sure to indicate the date code/serial number (located on nameplates) when completing your warranty registration card, provided with each tool.

Air Consumption

Average Air Consumption is calculated based on average intermittent cycles which differs by tool type.

Air Consumption Under Load (@ Load) is calculated as follows:

Air Ratchets

Air consumption at free speed.

Air Impact Wrenches

Air consumption with applied load using a 9 rpm break.

Air Hammers

Air consumption with applied load of 20 lbs. (9.1 kg) force.

Air Cutting Tools & Finishing Tools

Air consumption with applied load of 5 to 8 lbs. (2.3 to 3.6 kg) force.

Air Drills/Screwdriver

Air consumption @ Load based on 80% free speed.

Sound Levels

Sound levels for pressure (U.S. standard) tested under load per PNEURIOP 8NTC1.2. Sound levels for power (European CE standard) tested per ISO3744.



Ingersoll-Rand Powers The Pits Throughout NASCAR Racing!

Power. Speed. Durability. These are the reasons why race teams and their pit crews have relied on Ingersoll-Rand tools for most of the 50-year history of NASCAR. The same factors apply to the thousands of professional mechanics around the world who have made IR their choice as well. Whether you're engaged in orchestrating the precision of a 16-second, four-tire pit stop, or in the everyday complexities of automotive service, IR tools meet the ultimate test of performance.

The New Power On Pit Road

Designed and built specifically for tire changing applications within racing, the ThunderGun™ air impact wrench represents the latest evolution of IR racing tools. It complements the instincts of the fastest tire changers by delivering an almost instantaneous blow of torque that removes lug nuts with incredible speed, and retightens them with equally startling precision. It's based on our commercial impact wrenches, which incorporate the same quality of engineering, materials, and construction. While the ThunderGun is intended for the select few who require absolute speed and power, you can benefit from the same dedication to performance in every tool addressed in this catalog.



Master Mechanic, Motivator, And Strategist

Ray Evernham, crew chief for Winston Cup Series championship driver Jeff Gordon and the "Rainbow Warriors" of the #24 Team, has used IR tools throughout his career – going back to his father's service station. While Ray's role today covers the spectrum from team management and competitive analysis to suspension geometry and pit strategy, he is still instrumental in preparing the car for race day, tools in hand. He is also an IR spokesperson, because he fully appreciates the pressures that today's automotive technicians face, and knows the value of superior equipment.

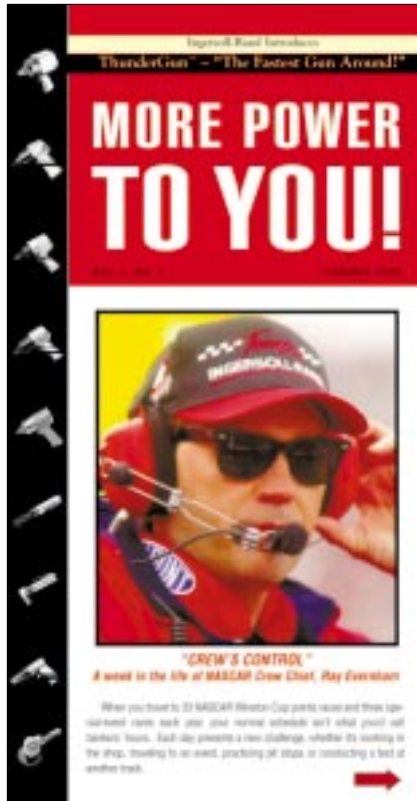
**THUNDER
GUN**
**THE FASTEST
GUN AROUND**

Ingersoll-Rand Powers The Pits Throughout NASCAR Racing!



The Ingersoll-Rand 16-Second Pit Stop Challenge
IR automotive tools are featured in the "16 Second Pit Stop Challenge" at DAYTONA USA — the Ultimate Motorsports Attraction. Located at the Daytona International Speedway in Daytona Beach, Florida, a fast one hour drive from Orlando, DAYTONA USA combines motorsports history and up-to-the-minute developments in one breathtaking, interactive experience. When in the area, plan a visit, and compete in a live NASCAR/Winston Cup pit stop using the same high performance IR tools that well over 90 percent of the real crews use!





A Tool for Your Brain

You can stay current with the latest in new products, promotional offers, racing news, service tips and helpful "how-to" articles by subscribing to *MORE POWER TO YOU!* It's a publication designed especially for professional mechanics and jobbers, and it's absolutely free.

High Performance Apparel and Accessories

Wear or display the "Tools by Ingersoll-Rand" mark with selections from our new MORE POWER! officially licensed merchandise catalog. You'll find a unique range of shirts, jackets, hats, promotional items, and functional mechanic's gear. Featured in the catalog is a new line of Ray Everham Signature Series products, with special graphics spotlighting our relationship with the most successful crew chief in racing. There's more than 65 items throughout 12 pages of content.

www.irtools.com/auto

The IR automotive tools website (fourth quarter, 1998)

is a convenient gateway to all of this information, including the complete product line. You can also access it via the Ingersoll-Rand corporate site:

<http://www.ingersoll-rand.com>.

The pages that follow provide complete details on the full line of IR tools and accessories, as well as information on selecting an IR air compressor to power your shop. If you have questions or need assistance, consult your local jobber or distributor, or call:

1-800-376-TOOL (general information, MORE POWER TO YOU! subscriptions, merchandise catalogs, etc.)

1-800-TOOL-HLP (technical assistance on IR Tools)

1-800-AIR-SERV (technical assistance on IR air compressors)

1-800-426-3125 (to place an order from the IR Tools licensed merchandise catalog, produced by CYRK/The Tonkin Group)



Air Ratchets

When you want a ratchet that's compact, powerful, and won't bust your knuckles while you work, look for Ingersoll-Rand air ratchet wrenches, the ones that are built to last.

Our ratchets last longer because they are designed with a heat-treated, hardened ratchet yoke to maintain peak performance and prevent "spreading" which makes other air ratchets lose power.

Take your pick. We've got the smallest ratchet in the industry, the IR103 "Stubby," to get you in and out of tight spots with ease. And the durable IR109 model, which packs up to 65 ft.lbs. of torque.



Ingersoll-Rand also offers an industry exclusive... the Reactionless Ratchet™. Our durable IR111 3/8" drive model features a patented, reactionless mechanism, which eliminates the effects of torque kickback after running down nuts and bolts. It also helps prevent the hand and knuckle bruises that often result when a wrench is used in confined spaces. The IR111 delivers 50 ft.-lbs. of torque, with a free speed of 300 rpm – twice as fast as a standard ratchet. It features a positive forward lock and reverse control for easy changes of direction, plus a rear exhaust that directs air away from the work area without spraying dust and grease. There's even a companion 1/2" drive model, the IR1111, with all of the same advantages. Improved performance and extended life – without the jolt of torque reaction. That's why we call it the Knuckle Saver™.

Model Number	Performance Rating	Square Drive in.	Working Torque Range ft.-lb. (Nm)	Maximum Torque ft.-lb. (Nm)	Free Speed (rpm)	Standard Bolt Size in. (mm)	Weight lb. (kg)	Length in. (mm)	Av. Air Consumption cfm (l/min)	@ Free Speed cfm (l/min)	Sound dBA (Pressure/Power)	Air Inlet NPTF in.	Min. Hose Size in. (mm)
IR103	Standard Duty	¼	5-20 (7-27)	20 (27)	200	¾ (10)	1.1 (0.50)	6.5 (165)	2.5 (71)	15 (410)	87.7/100.7	¼	¼ (6)
IR1033	Standard Duty	¾	5-20 (7-27)	20 (27)	200	¾ (10)	1.1 (0.50)	6.5 (165)	2.5 (71)	15 (410)	87.7/100.7	¼	¼ (6)
IR104	Standard Duty	¼	5-20 (7-27)	20 (27)	200	¾ (10)	1.1 (0.50)	7.8 (198)	2.5 (71)	13 (368)	90.8/103.8	¼	¼ (6)
IR107	Heavy Duty	¾	10-45 (14-61)	50 (68)	150	¾ (10)	2.49 (1.13)	10.4 (264)	4 (113)	16 (453)	93/106	¼	⅝ (8)
IR1077	Heavy Duty	½	10-45 (14-61)	50 (68)	150	¾ (10)	2.49 (1.13)	10.4 (264)	4 (113)	16 (453)	93/106	¼	⅝ (8)
IR108	Heavy Duty	¾	10-45 (14-61)	50 (68)	150	¾ (10)	2.49 (1.13)	10.4 (264)	4 (113)	16 (453)	88/101	¼	⅝ (8)
IR1088	Heavy Duty	½	10-45 (14-61)	50 (68)	150	¾ (10)	2.49 (1.13)	10.4 (264)	4 (113)	16 (453)	88/101	¼	⅝ (8)
IR109	Super Duty	¾	10-60 (14-82)	65 (82)	250	¾ (10)	3 (1.36)	11.9 (302)	4 (113)	18.3 (518)	88.9/101.9	¼	⅝ (8)
IR1099	Super Duty	½	10-60 (14-82)	65 (82)	250	¾ (10)	3 (1.36)	11.9 (302)	4 (113)	18.3 (518)	88.9/101.9	¼	⅝ (8)
IR111	Super Duty	¾	10-50 (14-68)	50 (68)	300	¾ (10)	2.7 (1.22)	10.5 (267)	4 (113)	12 (340)	89.6/102.6	¼	⅝ (8)
IR1111	Super Duty	½	10-50 (14-68)	50 (68)	300	¾ (10)	2.7 (1.22)	10.5 (267)	4 (113)	12 (340)	89.6/102.6	¼	⅝ (8)

Air Ratchets

IR103

1/4" Stubby Standard Duty

Air Ratchet Wrench

The "Stubby" lets you squeeze into very snug spaces without feeling squeezed while you run small fasteners. Excellent for body shop repair jobs and light duty work under the dashboard.

- The smallest air ratchet, only 6-1/2" long.
- Lightweight, only 1-1/8 lbs.
- 20 ft.-lbs. maximum torque

IR1033

3/8" Stubby Standard Duty

Air Ratchet Wrench

Same specifications as the IR103 model, but with 3/8" drive.



IR104

1/4" Standard Duty

Air Ratchet Wrench

Made to fit in the palm of your hand, this compact ratchet is great for small engine repair, headlight service work, and bench work. So easy to maintain, just dip the head in oil.

- Extra compact.
- Easy to maintain.
- 20 ft.-lbs. maximum torque



IR107

3/8" Heavy Duty

Air Ratchet Wrench

This is the most popular ratchet in the automotive industry, especially for body shop work and removing or replacing radiators, spark plugs, air conditioning, and water pumps. It's compact and powerful for running small bolts in tight spaces.

- Up to 50 ft.-lbs. torque.
- Variable speed throttle.
- Ball and needle bearing for long life.

IR1077

1/2" Heavy Duty

Air Ratchet Wrench

Same specifications as the IR107 model, but with 1/2" drive.



Model Number	Performance Rating	Square Drive in.	Working Torque Range ft.-lb. (Nm)	Maximum Torque ft.-lb. (Nm)	Free Speed (rpm)	Standard Bolt Size in. (mm)	Weight lb. (kg)	Length in. (mm)	Av. Air Consumption cfm (l/min)	@ Free Speed cfm (l/min)	Sound dBA (Pressure/Power)	Air Inlet NPTF in.	Min. Hose Size in. (mm)
IR103	Standard Duty	1/4	5-20 (7-27)	20 (27)	200	3/8 (10)	1.1 (0.50)	6.5 (165)	2.5 (71)	15 (410)	87.7/100.7	1/4	1/4 (6)
IR1033	Standard Duty	3/8	5-20 (7-27)	20 (27)	200	3/8 (10)	1.1 (0.50)	6.5 (165)	2.5 (71)	15 (410)	87.7/100.7	1/4	1/4 (6)
IR104	Standard Duty	1/4	5-20 (7-27)	20 (27)	200	3/8 (10)	1.1 (0.50)	7.8 (198)	2.5 (71)	13 (368)	90.8/103.8	1/4	1/4 (6)
IR107	Heavy Duty	3/8	10-45 (14-61)	50 (68)	150	3/8 (10)	2.49 (1.13)	10.4 (264)	4 (113)	16 (453)	93/106	1/4	5/16 (8)
IR1077	Heavy Duty	1/2	10-45 (14-61)	50 (68)	150	3/8 (10)	2.49 (1.13)	10.4 (264)	4 (113)	16 (453)	93/106	1/4	5/16 (8)

IR108

3/8" Heavy Duty Air Ratchet Wrench

The new IR108 is similar to the durable, proven IR107, but with rear exhaust to direct air away from the work.

- Ball & needle bearing for longer life.
- Up to 50 ft.-lbs. torque.
- Low sound level with rear exhaust.
- Variable speed throttle.

IR1088

1/2" Heavy Duty Air Ratchet Wrench

Same specifications as the IR108 model, but with 1/2" drive.



IR109

3/8" Super Duty Air Ratchet Wrench

Here's the most durable air ratchet you can buy. The new IR109 delivers up to 65 ft.-lbs. of torque, yet still provides the convenient access you need for tight spaces.

- 360 degree rotational exhaust.
- Push button throttle.
- Durable, high power design.

IR1099

1/2" Super Duty Air Ratchet Wrench

Same specifications as the IR109 model, but with 1/2" drive.



IR111

The Knuckle Saver™ 3/8" Super Duty Reactionless Air Ratchet Wrench

This revolutionary Reactionless Ratchet™ has a unique reactionless mechanism. It makes gearing unnecessary and it absorbs kickback when the nut runs tight.

- The fastest air ratchet you can buy.
- Up to 50 ft.-lbs. torque.
- Rear exhaust directs air away from work.
- External grease fitting.

IR1111

The Knuckle Saver™ 1/2" Super Duty Reactionless Air Ratchet Wrench

Same specifications as the IR111 model, but with 1/2" drive.



Model Number	Performance Rating	Square Drive in.	Working Torque Range ft.-lb. (Nm)	Maximum Torque ft.-lb. (Nm)	Free Speed (rpm)	Standard Bolt Size in. (mm)	Weight lb. (kg)	Length in. (mm)	Av. Air Consumption cfm (l/min)	@ Free Speed cfm (l/min)	Sound dBA (Pressure/Power)	Air Inlet NPTF in.	Min. Hose Size in. (mm)
IR108	Heavy Duty	3/8	10-45 (14-61)	50 (68)	150	3/8 (10)	2.49 (1.13)	10.4 (264)	4 (113)	16 (453)	88/101	1/4	5/16 (8)
IR1088	Heavy Duty	1/2	10-45 (14-61)	50 (68)	150	3/8 (10)	2.49 (1.13)	10.4 (264)	4 (113)	16 (453)	88/101	1/4	5/16 (8)
IR109	Super Duty	3/8	10-60 (14-82)	65 (82)	250	3/8 (10)	3 (1.36)	11.9 (302)	4 (113)	18.3 (518)	88.9/101.9	1/4	5/16 (8)
IR1099	Super Duty	1/2	10-60 (14-82)	65 (82)	250	3/8 (10)	3 (1.36)	11.9 (302)	4 (113)	18.3 (518)	88.9/101.9	1/4	5/16 (8)
IR111	Super Duty	3/8	10-50 (14-68)	50 (68)	300	3/8 (10)	2.7 (1.22)	10.5 (267)	4 (113)	12 (340)	89.6/102.6	1/4	5/16 (8)
IR1111	Super Duty	1/2	10-50 (14-68)	50 (68)	300	3/8 (10)	2.7 (1.22)	10.5 (267)	4 (113)	12 (340)	89.6/102.6	1/4	5/16 (8)

Air Impact Tools

They're the most important tools in your shop. Ingersoll-Rand gives you the widest selection of impact tools in the industry, including 3/8", 1/2", 3/4", and 1" drive models.



The twin hammer and jumbo hammer mechanisms are the heart of our premium impact tools. Originally introduced by Ingersoll-Rand, the twin hammer mechanism delivers simultaneous, balanced blows to the anvil, for maximum power output, efficiency, and smoothness.



Ingersoll-Rand air impact tools are the wrenches professional mechanics use when nothing else will do the job. They'll break loose a frozen bolt when others can't make it budge. With fewer working parts, simplified maintenance and less wasted energy, Ingersoll-Rand air impact wrenches are the finest examples of delivering **MORE POWER** for professional mechanics.



Model Number	Performance Rating	Working Torque Range ft.-lb. (Nm)	Maximum Torque ft.-lb. (Nm)	Blows Per Min.	Free Spd. (rpm)	Standard Bolt Cap. in. (mm)	Weight lbs. (kg)	Length in. (mm)	Av. Air Consump. cfm (l/min)	@ Load cfm (l/min)	Sound dBA (Press./Power)	Air Inlet NPTF in.	Min. Hose Size in. (mm)
3/8" Square Drive													
IR205	Hvy.Dty.	5-50 (7-68)	100 (136)	1,500	11,500	3/8 (10)	2.4 (1.09)	6.46 (164)	2.2 (62)	13 (368)	94.3/107.3	1/4	3/8 (10)
IR206	Hvy.Dty.	5-50 (7-68)	100 (136)	1,500	11,500	3/8 (10)	2.9 (1.32)	7 (178)	2.2 (62)	14 (396)	91.5/104.5	1/4	3/8 (10)
IR207	Hvy.Dty.	5-50 (7-68)	100 (136)	1,500	11,500	3/8 (10)	2.3 (1.04)	5.8 (147)	2.2 (62)	9 (255)	91.5/104.5	1/4	3/8 (10)
IR211	Spr.Dty.	20-125 (27-170)	150 (204)	1,500	10,000	7/16 (11)	2.4 (1.09)	6.6 (168)	2.5 (71)	11 (311)	104/117	1/4	3/8 (10)
IR212	Spr.Dty.	20-150 (27-204)	180 (245)	1,500	10,000	7/16 (11)	2.89 (1.31)	6 (152)	2.5 (71)	11 (311)	97.5/110.5	1/4	3/8 (10)
1/2" Square Drive													
IR231	Spr.Dty.	25-300 (34-408)	425 (578)	1,200	8,000	5/16 (14)	5.8 (2.63)	7.3 (185)	4.2 (119)	22 (623)	102/115	1/4	3/8 (10)
IR231-2	Spr.Dty.Ext.Anv.	25-300 (34-408)	425 (578)	1,200	8,000	5/16 (14)	6.1 (2.77)	9.3 (236)	4.2 (119)	22 (623)	102/115	1/4	3/8 (10)
IR235	Hvy.Duty	25-225 (34-306)	375 (510)	1,200	9,500	1/2 (13)	5.42 (2.46)	7.75 (197)	4 (113)	17 (474)	104.2/111.6	1/4	3/8 (10)
IR244	Spr.Dty.	40-350 (54-476)	500 (680)	1,300	7,000	5/8 (16)	6 (2.72)	7.3 (185)	5.4 (153)	21 (595)	105/109.3	1/4	3/8 (10)
IR244-2	Spr.Dty.Ext.Anv.	40-350 (54-476)	500 (680)	1,300	7,000	5/8 (16)	6.28 (2.85)	9.5 (241)	5.4 (153)	21 (595)	105/109.3	1/4	3/8 (10)
IR2131	Ult.Dty.	50-400 (68-544)	450 (612)	1,250	9,500	5/16 (14)	4.5 (2.04)	7.1 (180)	4.8 (136)	23 (651)	89/102	1/4	3/8 (10)
Reverse			600 (816)										
IR2131S-2	Ult.Dty.Ext.Anv.	50-400 (68-544)	450 (612)	1,250	9,500	5/16 (14)	4.8 (2.18)	9.1 (231)	4.8 (136)	23 (651)	89/102	1/4	3/8 (10)
Reverse			600 (816)										
3/4" Square Drive													
IR252	Stnd.Dty.	100-500 (136-680)	750 (1,020)	1,200	6,500	1 (25)	8.6 (3.9)	9 (229)	7.5 (212)	28 (793)	92.1/105.1	3/8	1/2 (13)
IR255A	Hvy.Dty.	200-700 (272-952)	900 (1,224)	1,100	5,000	1 (25)	10.77 (4.89)	9.8 (249)	8 (226)	30 (835)	93.7/106.7	3/8	1/2 (13)
IR261	Spr.Dty.	200-900 (272-1,224)	1,100 (1,496)	1,000	5,500	1 (25)	12.4 (5.62)	8.8 (224)	9.5 (269)	38 (1076)	101.1/114.1	3/8	1/2 (13)
IR261-3	Spr.Dty.Ext.Anv.	200-900 (272-1,224)	1,100 (1,496)	1,000	5,500	1 (25)	13 (5.90)	11.8 (300)	9.5 (269)	38 (1076)	101.1/114.1	3/8	1/2 (13)
IR261-6	Spr.Dty.Ext.Anv.	200-900 (272-1,224)	1,100 (1,496)	1,000	5,500	1 (25)	13.7 (6.21)	14.8 (376)	9.5 (269)	38 (1076)	101.1/114.1	3/8	1/2 (13)
IR2161	Ultra Dty.	300-1,000 (408-1,360)	1,250 (1,700)	1,025	6,000	1 (25)	11.3 (5.14)	8.5 (216)	10 (282)	53 (1495)	97.7/110.7	3/8	1/2 (13)
IR2161-6	Ultra Dty.	300-1,000 (408-1,360)	1,250 (1,700)	1,025	6,000	1 (25)	12.6 (5.73)	14.5 (368)	10 (282)	53 (1495)	97.7/110.7	3/8	1/2 (13)
1" Square Drive													
IR271	Spr.Dty.	200-900 (272-1,224)	1,100 (1,496)	1,000	5,500	1 1/4 (32)	12.5 (5.67)	8.9 (226)	9.5 (269)	39 (1104)	101.1/114.1	3/8	1/2 (13)
IR280	Spr.Dty.	150-1,000 (204-1,360)	1,600 (2,176)	750	6,000	1 1/4 (32)	22 (9.98)	13 (330)	10 (283)	55 (1557)	109.1/122.1	1/2	1/2 (13)
IR280-6	Spr.Dty.Ext.Anv.	150-1,000 (204-1,360)	1,600 (2,176)	750	6,000	1 1/4 (32)	23.8 (10.80)	18.5 (470)	10 (283)	55 (1557)	109.1/122.1	1/2	1/2 (13)
IR280-S6	#5Sp.SD.Ext.Anv.	150-1,000 (204-1,360)	1,600 (2,176)	750	6,000	1 1/4 (32)	23.8 (10.80)	18.5 (470)	10 (283)	55 (1557)	109.1/122.1	1/2	1/2 (13)
IR285	Hvy.Dty.	100-1,000 (136-1,360)	1,450 (1,972)	750	5,000	1 1/4 (32)	22 (10)	13.2 (335)	10 (283)	37 (1047)	107/120	1/2	1/2 (13)
IR285-6	Hvy.Dty.Ext.Anv.	100-1,000 (136-1,360)	1,450 (1,972)	750	5,000	1 1/4 (32)	25.2 (11.43)	20.1 (511)	10 (283)	37 (1047)	107/120	1/2	1/2 (13)
IR285-S6	#5Sp.HD.Ext.Anv.	100-1,000 (136-1,360)	1,450 (1,972)	750	5,000	1 1/4 (32)	25.2 (11.43)	20.1 (511)	10 (283)	37 (1047)	107/120	1/2	1/2 (13)
IR290	Spr.Dty.	150-1,000 (204-1,360)	1,600 (2,176)	800	6,000	1 1/4 (32)	21.9 (9.93)	9.75 (248)	10 (283)	60 (1699)	104.6/117.6	1/2	1/2 (13)
IR290-S	#5Sp.Spr.Dty.	50-1,000 (204-1,360)	1,600 (2,176)	800	6,000	1 1/4 (32)	21.9 (9.93)	10 (254)	10 (283)	60 (1699)	104.6/117.6	1/2	1/2 (13)
IR293	Spr.Dty.	1,000-1,600 (1,360-2,176)	2,000 (2,720)	810	3,500	1 3/8 (35)	22.8 (10.34)	11.3 (287)	12 (340)	64 (1812)	90.3/103.3	1/2	1/2 (13)
IR293-S	#5Sp.Spr.Dty.	1,000-1,600 (1,360-2,176)	2,000 (2,720)	810	3,500	1 3/8 (35)	22.8 (10.34)	11.3 (287)	12 (340)	64 (1812)	90.3/103.3	1/2	1/2 (13)
IR295	Hvy.Dty.	100-1,000 (136-1,360)	1,450 (1,972)	750	5,000	1 1/4 (32)	22 (9.98)	10.5 (267)	10 (283)	37 (1047)	N/A	3/8	1/2 (13)
IR295-S	#5Sp.Hvy.Dty.	100-1,000 (136-1,360)	1,450 (1,972)	750	5,000	1 1/4 (32)	21.18 (9.61)	10.5 (267)	10 (283)	37 (1047)	N/A	3/8	1/2 (13)
IR2171	Ultra Dty.	300-1,000 (408-1,360)	1,250 (1,700)	1,025	6,000	1 (25)	12.6 (5.73)	12.5 (368)	10 (283)	53 (1495)	97.7/110.7	3/8	1/2 (13)

Air Impact Tools

IR205

3/8" Heavy Duty
Air Impact Wrench

This economical choice puts power in the palm of your hand as you work in cramped, difficult spaces. A small wrench, it's ideal for transmission, body panel, exhaust system, and small engine repair. The butterfly-style throttle valve lets you adjust speed smoothly in either direction in one continuous motion.

- Butterfly throttle controls forward and reverse speeds.
- Small, compact size to get into tight spaces.
- 360 degree swivel inlet.



IR206

3/8" Heavy Duty
Air Impact Wrench

If you prefer a pistol grip, this is the economical choice that packs a lot of power for its small size – up to 100 ft.-lbs. torque. Compact to squeeze into tight spots for transmission work, exhaust systems, it can handle bolts up to 3/8" in diameter quickly and easily.

- Pistol grip that's very compact for comfort and easy maneuvering.
- High power for its small size.
- Two-piece construction means easy maintenance.



IR207

3/8" Heavy Duty
Angle Head Air Impact Wrench

Sometimes special jobs and extra-tight spaces demand the Angle Head impact wrench. It's a uniquely compact, economical 3/8" tool for exhaust systems, air conditioning, and small engines.

- Maneuvers easily in confined spaces.
- Up to 100 ft.-lbs. torque.
- Built-in air regulator.
- Convenient forward/reverse mechanism.



IR211

3/8" Super Duty
Air Impact Wrench

The most powerful 3/8" palm-grip wrench you can get, with all the built-in advantages of the Single Hammer Mechanism, Pressure-Feed Lubrication System, and Power Regulator. It packs plenty of extra power to handle bolts up to 7/16" for oil pan removal, exhaust system work, transmission and bench work.

- Up to 150 ft.-lbs. torque.
- A sleek, in-line palm-grip design.
- Steel hammer case protects the hammer mechanism against punishing use.



Model Number	Performance Rating	Working Torque Range ft.-lb. (Nm)	Maximum Torque ft.-lb. (Nm)	Blows Free Per Min.	Free Spd. (rpm)	Standard Bolt Cap. in. (mm)	Weight lbs. (kg)	Length in. (mm)	Av. Air Consump. cfm (l/min)	@ Load cfm (l/min)	Sound dBA (Press./Power)	Air Inlet NPTF in.	Min. Hose Size in. (mm)
3/8" Square Drive													
IR205	Hvy.Dty.	5-50 (7-68)	100 (136)	1,500	11,500	3/8 (10)	2.4 (1.09)	6.46 (164)	2.2 (62)	13 (368)	94.3/107.3	1/4	3/8 (10)
IR206	Hvy.Dty.	5-50 (7-68)	100 (136)	1,500	11,500	3/8 (10)	2.9 (1.32)	7 (178)	2.2 (62)	14 (396)	91.5/104.5	1/4	3/8 (10)
IR207	Hvy.Dty.	5-50 (7-68)	100 (136)	1,500	11,500	3/8 (10)	2.3 (1.04)	5.8 (147)	2.2 (62)	9 (255)	91.5/104.5	1/4	3/8 (10)
IR211	Spr.Dty.	20-125 (27-170)	150 (204)	1,500	10,000	7/16 (11)	2.4 (1.09)	6.6 (168)	2.5 (71)	11 (311)	104/117	1/4	3/8 (10)

IR212

3/8" Super Duty Air Impact Wrench

Tremendous power and longer life make this wrench the popular choice of professional mechanics for exhaust systems, air conditioning, radiators, body shop, and bench work. Still the most powerful 3/8" pistol-grip on the market, it offers all the advantages of the Single Hammer Impact Mechanism for removing and replacing bolts up to 7/16" without a struggle.

- Power up to 180 ft.-lbs.
- Unaffected by air pressure changes.
- More torque, less vibration.
- Pistol-style yet extremely compact and lightweight.
- Built-in power regulator prevents over-torquing.
- Handle exhaust.



IR231

1/2" Super Duty Air Impact Wrench

The classic IR231 is the most popular tool in its class. Introduced over 25 years ago and continuously refined, it offers the sheer power and performance features to tackle the toughest jobs with ease – as well as proven durability and economy.

- Durable twin hammer impact mechanism.
- Pressure-feed lubrication.
- Adjustable power regulator.
- Easy to service two-piece construction.
- Variable-speed.



IR231-2

1/2" Super Duty Extended Anvil Air Impact Wrench

The standard of 1/2" tire tools gives you the same performance advantages of the classic IR231, but with a 2" extended anvil for use with flip sockets.



IR235

1/2" Heavy Duty Air Impact Wrench

Ingersoll-Rand has packed more power, features, and durability into its most economical 1/2" drive impact wrench. This tool delivers 375 ft.-lbs. of maximum torque with a free speed of 9,500 rpm, to make easier work of general service applications.

- 375 ft.-lbs. of maximum torque.
- Handle exhaust.
- Balanced design with easy-to-use controls, tease trigger.
- Full power in reverse; adjustable power in forward.
- High output impact mechanism.



Model Number	Performance Rating	Working Torque Range ft.-lb. (Nm)	Maximum Torque ft.-lb. (Nm)	Blows Per Min.	Free Spd. (rpm)	Standard Bolt Cap. in. (mm)	Weight lbs. (kg)	Length in. (mm)	Av. Air Consump. cfm (l/min)	@ Load cfm (l/min)	Sound dBA (Press./Power)	Air Inlet NPTF in.	Min. Hose Size in. (mm)
3/8" Square Drive													
IR212	Spr.Dty.	20-150 (27-204)	180 (245)	1,500	10,000	7/16 (11)	2.89 (1.31)	6 (152)	2.5 (71)	11 (311)	97.5/110.5	1/4	3/8 (10)
1/2" Square Drive													
IR231	Spr.Dty.	25-300 (34-408)	425 (578)	1,200	8,000	1/2 (14)	5.8 (2.63)	7.3 (185)	4.2 (119)	22 (623)	102/115	1/4	3/8 (10)
IR231-2	Spr.Dty.Ext.Anv.	25-300 (34-408)	425 (578)	1,200	8,000	1/2 (14)	6.1 (2.77)	9.3 (236)	4.2 (119)	22 (623)	102/115	1/4	3/8 (10)
IR235	Hvy.Duty	25-225 (34-306)	375 (510)	1,200	9,500	1/2 (13)	5.42 (2.46)	7.75 (197)	4 (113)	17 (474)	104.2/111.6	1/4	3/8 (10)

Air Impact Tools

IR244

1/2" Super Duty

Air Impact Wrench

Bring out the "big gun" for tire-changing, shock and spring work, front end work, and other heavy automotive and truck work. The Twin Hammer impact mechanism pumps out 500 ft.-lbs. torque at a free speed of 7,000 rpm to get the job done fast.

- Powerful, with smooth, balanced blows.
- Good control: excellent balance and a variable speed trigger.
- More horsepower for extra torque output.
- Pressure Feed Lubrication System automatically greases the impact mechanism.



IR244-2

1/2" Super Duty Extended Anvil

Air Impact Wrench

Specifically designed for heavy tire changes, this is the "twin" of the IR244, but with a 2" extended anvil you use with flip sockets.



IR2131

1/2" Ultra Duty

Air Impact Wrench

The IR2131 is the world's most powerful 1/2" impact wrench...and also the most advanced. Its strong yet lightweight construction, even balance, and compact profile provide superior comfort. The innovative motor design and power management system deliver 600 ft.-lbs. of torque in reverse, and power selection of up to 450 ft.-lbs. in forward, for superior flexibility.

- Refined original twin hammer power mechanism.
- One-hand push button forward/reverse.
- 360 degree swivel inlet and handle exhaust.
- Exceptional control with professional touch trigger.
- Super strong composite housing with steel hammer case.



IR2131S-2

1/2" Ultra Duty Extended Anvil

Air Impact Wrench

The ultimate in power and control for tire changing, the IR2131S-2 adds a 2" extended anvil for use with flip sockets.



Model Number	Performance Rating	Working Torque Range ft.-lb. (Nm)	Maximum Torque ft.-lb. (Nm)	Blows Per Min.	Free Spd. (rpm)	Standard Bolt Cap. in. (mm)	Weight lbs. (kg)	Length in. (mm)	Av. Air Consump. cfm (l/min)	@ Load cfm (l/min)	Sound dBA (Press./Power)	Air Inlet NPTF in.	Min. Hose Size in. (mm)
3/4" Square Drive													
IR244	Spr.Dty.	40-350 (54-476)	500 (680)	1,300	7,000	5/8 (16)	6 (2.72)	7.3 (185)	5.4 (153)	21 (595)	105/109.3	1/4	3/8 (10)
IR244-2	Spr.Dty.Ext.Anv.	40-350 (54-476)	500 (680)	1,300	7,000	5/8 (16)	6.28 (2.85)	9.5 (241)	5.4 (153)	21 (595)	105/109.3	1/4	3/8 (10)
IR2131	Ult.Dty.	50-400 (68-544)	450 (612)	1,250	9,500	5/8 (14)	4.5 (2.04)	7.1 (180)	4.8 (136)	23 (651)	89/102	1/4	3/8 (10)
	Reverse		600 (816)										
IR2131S-2	Ult.Dty.Ext.Anv.	50-400 (68-544)	450 (612)	1,250	9,500	5/8 (14)	4.8 (2.18)	9.1 (231)	4.8 (136)	23 (651)	87.2/100.2	1/4	3/8 (10)
	Reverse		600 (816)										

IR252 ^{STD} 3/4" Standard Duty Air Impact Wrench

The IR252 is an economical standard duty 3/4" wrench for engine teardowns or general maintenance. This is a good lightweight 3/4" wrench with a high power rating for its compact size.

- Full power in reverse; 3 position adjustable power in forward.
- 750 ft.-lbs. of torque.
- Integral 360 degree swivel inlet.
- Handle exhaust.
- Lightweight and easy to operate.
- Long, trouble-free life insured by oil bath lubrication.



IR255A ^{Hvy} 3/4" Heavy Duty Air Impact Wrench

The IR255A incorporates the forward/reverse valve into the easy-to-use power regulator on the back cap. It delivers 900 ft.-lbs. of maximum torque for work on trucks, heavy equipment, agricultural machinery, and similar tasks, yet adds the flexibility of a three-position power regulator to more precisely tailor power output.

- Full power in reverse; adjustable power in forward.
- 900 ft.-lbs. of maximum torque.
- Integral 360 degree swivel inlet.
- Handle exhaust.
- Excellent power-to-weight ratio.



IR261 ^{STD} 3/4" Super Duty Air Impact Wrench

The highly-regarded IR261 model combines compact size with high output, which makes it perfect for everything from spring work to pinion nut and track pad removal and major engine teardowns.

- Jumbo hammer mechanism.
- Up to 1,100 ft.-lbs. of torque.
- Trouble-free, longer performance aided by the Pressure-Feed Lube System.
- Compact and only 7-5/8" long.
- Handle exhaust.



IR261-3 ^{STD} 3/4" Super Duty Extended Anvil Air Impact Wrench

Same specifications as the IR261-6 model, but with 3" extended anvil.

IR261-6 ^{STD} 3/4" Super Duty Extended Anvil Air Impact Wrench

A popular truck tire tool, this model includes all the high-performance features of the IR261. You'll be able to reach lug nuts in deep truck wheels easily with its 6" extended anvil. The tool itself is lightweight and very compact.



Model Number	Performance Rating	Working Torque Range ft.-lb. (Nm)	Maximum Torque ft.-lb. (Nm)	Blows Per Min.	Free Spd. (rpm)	Standard Bolt Cap. in. (mm)	Weight lbs. (kg)	Length in. (mm)	Av. Air Consump. cfm (l/min)	@ Load cfm (l/min)	Sound dBA (Press./Power)	Air Inlet NPTF in.	Min. Hose Size in. (mm)
3/4" Square Drive													
IR252	Std.Dty.	100-500 (136-680)	750 (1,020)	1,200	6,500	1 (25)	8.6 (3.9)	9 (229)	7.5 (212)	28 (793)	92.1/105.1	3/8	1/2 (13)
IR255A	Hvy.Dty.	200-700 (272-952)	900 (1,224)	1,100	5,000	1 (25)	10.77 (4.89)	9.8 (249)	8 (226)	30 (835)	93.7/106.7	3/8	1/2 (13)
IR261	Spr.Dty.	200-900 (272-1,224)	1,100 (1,496)	1,000	5,500	1 (25)	12.4 (5.62)	8.8 (224)	9.5 (269)	38 (1076)	101.1/114.1	3/8	1/2 (13)
IR261-3	Spr.Dty.Ext.Anv.	200-900 (272-1,224)	1,100 (1,496)	1,000	5,500	1 (25)	13 (5.90)	11.8 (300)	9.5 (269)	38 (1076)	101.1/114.1	3/8	1/2 (13)
IR261-6	Spr.Dty.Ext.Anv.	200-900 (272-1,224)	1,100 (1,496)	1,000	5,500	1 (25)	13.7 (6.21)	14.8 (376)	9.5 (269)	38 (1076)	101.1/114.1	3/8	1/2 (13)

Air Impact Tools

IR2161

3/4" Ultra Duty

Air Impact Wrench

The new IR2161 combines a six-vane high output air motor, through-bolt construction, ergonomic handle and housing design to create an impact tool that offers increased power and durability like no other.

- Most powerful 3/4" impact in the industry.
- Maximum torque 1,250 ft.-lbs.
- Full power reverse.
- 3 position power regulator.
- 360 degree swivel inlet.



IR2161-6

3/4" Ultra Duty

Air Impact Wrench

The new IR2161-6 offers all of the ergonomic, power and durability enhancing features as the IR2161 but with an extended anvil for those hard to reach applications.

- Jumbo Hammer mechanism.
- Up to 1,250 ft.-lbs. of torque.
- Trouble-free, longer performance aided by the Pressure-Feed Lube System.
- Compact and only 7-5/8" long.
- Handle exhaust.



IR271

1" Super Duty

Air Impact Wrench

The shortest 1" drive air impact wrench is also one of the most powerful. It combines a very compact size with high power output, making it ideal for tire changing, spring work, pinion nut and tractor pad removal, and shock work.

- Impressive power-to-size ratio.
- Up to 1,100 ft.-lbs. of torque.
- Pressure-Feed Lube System for longer service life.
- Dead handle improves operator control.



IR280

1" Super Duty

Air Impact Wrench

Here's the ultimate in quality, the 1" drive wrench with 1,600 ft.-lbs. torque to handle tough jobs in cramped spaces.

- Built-in Pressure-Feed Lube System.
- The side handle adjusts to suit you.
- Built-in oil reservoir provides continuous misting of the air motor.



Model Number	Performance Rating	Working Torque Range ft.-lb. (Nm)	Maximum Torque ft.-lb. (Nm)	Blows Free Per Min.	Free Spd. (rpm)	Standard Bolt Cap. in. (mm)	Weight lbs. (kg)	Length in. (mm)	Av. Air Consump. cfm (l/min)	@ Load cfm (l/min)	Sound dBA (Press./Power)	Air Inlet NPTF in.	Min. Hose Size in. (mm)
3/4" Square Drive													
IR2161	Ultra Dty.	300-1,000 (408-1,360)	1,250 (1,700)	1,025	6,000	1 (25)	11.3 (5.14)	8.5 (216)	10 (282)	53 (1495)	97.7/110.7	3/8	1/2 (13)
IR2161-6	Ultra Dty.	300-1,000 (408-1,360)	1,250 (1,700)	1,025	6,000	1 (25)	12.6 (5.73)	14.5 (368)	10 (282)	53 (1495)	97.7/110.7	3/8	1/2 (13)
1" Square Drive													
IR271	Spr.Dty.	200-900 (272-1,224)	1,100 (1,496)	1,000	5,500	1 1/4 (32)	12.5 (5.67)	8.9 (226)	9.5 (269)	39 (1104)	101.1/114.1	3/8	1/2 (13)
IR280	Spr.Dty.	150-1,000 (204-1,360)	1,600 (2,176)	750	6,000	1 1/4 (32)	22 (9.98)	13 (330)	10 (283)	51 (1557)	109.1/122.1	1/2	1/2 (13)

IR280-6

1" Super Duty Extended Anvil

Air Impact Wrench

High production truck tire changing requires the brute force only the Jumbo Hammer Impact mechanism delivers. Reach into deep truck wheels easily with the 6" extended anvil wrench, designed for high production truck tire changing.



IR280-S6

#5 Spline Super Duty Extended Anvil

Air Impact Wrench

A standard 6" extended #5 spline drive anvil gives you additional flexibility for certain high production truck tire changing jobs, plus all the power of the rest of the IR280 wrenches.

IR285

1" Heavy Duty

Air Impact Wrench

The new IR285 model combines exceptional power, durability, and operator convenience. It delivers 1,450 ft.-lbs. of maximum torque, with a 5,000 rpm free speed and high efficiency, 6-vane motor. The integral 360 degree swivel inlet makes kinked hoses a thing of the past, and along with the swept-back side handle, provides excellent maneuverability.

- 1,450 ft.-lbs. maximum torque.
- 360 degree swivel inlet for easy handling.
- Superior balance; "angled-down" exhaust.
- High efficiency 6-vane air motor.
- Three-position power regulator.

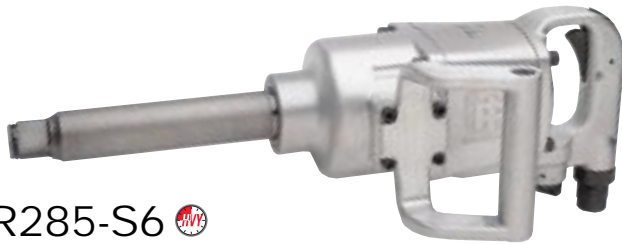


IR285-6

1" Heavy Duty Extended Anvil

Air Impact Wrench

The same quality features of the IR285 with a standard 6" extended anvil.



IR285-S6

#5 Spline Heavy Duty Extended Anvil

Air Impact Wrench

A standard 6" extended #5 spline drive anvil and the other quality features of the IR285. The extended anvil makes these tools perfect for the demanding world of truck tire service.

IR290

1" Super Duty

Air Impact Wrench

Designed for getting into cramped spaces with big power, the IR290 has a three-way adjustable handle. It's a good choice for spring work, tractor pads, bus maintenance, and off-road and farm equipment.

- Up to 1,600 ft.-lbs. of torque
- Pressure-Feed Lube System for long life.
- Adjustable side handle for better control.



IR290-S

#5 Spline Super Duty

Air Impact Wrench

You get a standard #5 short spline drive anvil and the same quality features as the IR290.

Model Number	Performance Rating	Working Torque Range ft.-lb. (Nm)	Maximum Torque ft.-lb. (Nm)	Blows Per Min.	Free Spd. (rpm)	Standard Bolt Cap. in. (mm)	Weight lbs. (kg)	Length in. (mm)	Av. Air Consump. cfm (l/min)	@ Load cfm (l/min)	Sound dBA (Press./Power)	Air Inlet NPTF in.	Min. Hose Size in. (mm)
1" Square Drive													
IR280-6	Spr.Dty.Ext.Anv.	150-1,000 (204-1,360)	1,600 (2,176)	750	6,000	1¼ (32)	23.8 (10.80)	18.5 (470)	10 (283)	55 (1557)	109.1/122.1	½	½ (13)
IR280-S6	#5Sp.SD.Ext.Anv.	150-1,000 (204-1,360)	1,600 (2,176)	750	6,000	1¼ (32)	23.8 (10.80)	18.5 (470)	10 (283)	51 (1557)	109.1/122.1	½	½ (13)
IR285	Hvy.Dty.	100-1,000 (136-1,360)	1,450 (1,972)	750	5,000	1¼ (32)	22 (10)	13.2 (335)	10 (283)	37 (1047)	107/120	½	½ (13)
IR285-6	Hvy.Dty.Ext.Anv.	100-1,000 (136-1,360)	1,450 (1,972)	750	5,000	1¼ (32)	25.2 (11.43)	20.1 (511)	10 (283)	37 (1047)	107/120	½	½ (13)
IR285-S6	#5Sp.HD.Ext.Anv.	100-1,000 (136-1,360)	1,450 (1,972)	750	5,000	1¼ (32)	25.2 (11.43)	20.1 (511)	10 (283)	37 (1047)	107/120	½	½ (13)
IR290	Spr.Dty.	150-1,000 (204-1,360)	1,600 (2,176)	800	6,000	1¼ (32)	21.9 (9.93)	9.75 (248)	10 (283)	60 (1699)	104.6/117.6	½	½ (13)
IR290-S	#5Sp.Spr.Dty.	50-1,000 (204-1,360)	1,600 (2,176)	800	6,000	1¼ (32)	21.9 (9.93)	10 (254)	10 (283)	60 (1699)	104.6/117.6	½	½ (13)

Air Impact Tools

IR293

1" Super Duty

Air Impact Wrench

This is the most powerful 1" wrench for spring work, tractor pads, bus maintenance, and off-road and farm equipment work. The built-in Pressure-Feed Lube System protects the unique Twin Hammer Impact mechanism as it delivers the ultimate in power.

- Up to 2,000 ft.-lbs. of torque.
- Most powerful 1" wrench.
- Long-lasting tool.
- Handle exhaust.



IR293-S

#5 Spline Super Duty

Air Impact Wrench

Ultimate power and all the other advantages of the IR293 are built into this tool along with a standard #5 short spline drive anvil.

IR295

1" Heavy Duty

Air Impact Wrench

A new, improved 1" drive tool perfect for truck and heavy equipment maintenance, the IR295 offers power and convenience at an affordable price. It's compact and lightweight, and perfect for working on suspension components, tractor pads, and other big capacity general repair functions.

- 360 degree swivel air inlet.
- Handle exhaust directs air away from the work.
- Top-mounted dead handle.
- 3-position power regulator provides torque management.



IR295-S

#5 Spline 1" Heavy Duty

Air Impact Wrench

The IR295-S offers all the features and benefits of the IR295, but with a standard #5 short spline drive anvil.

IR2171

1" Ultra Duty

Air Impact Wrench

The new IR2171 combines a six-vane high output air motor, through-bolt construction, ergonomic handle and housing design to create an impact tool that offers increased power and durability like no other.

- High power-to-weight ratio.
- Maximum torque 1,250 ft.-lbs.
- Full power reverse.
- 3 position power regulator.
- 360 degree swivel inlet.



Model Number	Performance Rating	Working Torque Range ft.-lb. (Nm)	Maximum Torque ft.-lb. (Nm)	Blows Free Per Min.	Spd. (rpm)	Standard Bolt Cap. in. (mm)	Weight lbs. (kg)	Length in. (mm)	Av. Air Consump. cfm (l/min)	@ Load cfm (l/min)	Sound dBA (Press./Power)	Air Inlet NPTF Size in.	Min. Hose Size in. (mm)
1" Square Drive													
IR293	Spr.Dty.	1,000-1,600 (1,360-2,176)	2,000 (2,720)	810	3,500	1 3/8 (35)	22.8 (10.34)	11.3 (287)	12 (340)	64 (1812)	90.3/103.3	1/2	1/2 (13)
IR293-S	#5Sp.Spr.Dty.	1,000-1,600 (1,360-2,176)	2,000 (2,720)	810	3,500	1 3/8 (35)	22.8 (10.34)	11.3 (287)	12 (340)	64 (1812)	90.3/103.3	1/2	1/2 (13)
IR295	Hvy.Dty.	100-1,000 (136-1,360)	1,450 (1,972)	750	5,000	1 1/4 (32)	22 (9.98)	10.5 (267)	10 (283)	37 (1047)	N/A	3/8	1/2 (13)
IR295-S	#5Sp.Hvy.Dty.	100-1,000 (136-1,360)	1,450 (1,972)	750	5,000	1 1/4 (32)	21.18 (9.61)	10.5 (267)	10 (283)	37 (1047)	N/A	3/8	1/2 (13)
IR2171	Ultra Dty.	300-1,000 (408-1,360)	1,250 (1,700)	1,025	6,000	1 (25)	12.6 (5.73)	12.5 (368)	10 (283)	53 (1495)	97.7/110.7	3/8	1/2 (13)

Accessories

Our socket sets include a metal tray for storage. Each socket is heat treated to withstand the pounding of Ingersoll-Rand's powerful impact tools. All are manufactured of a high grade of steel and are through hardened for top quality and long life.

Super Duty Power Socket Sets 6 Point Impact Sockets

3/8" Drive

Cat. No.	Description
72313	3/8" drive set (5/16, 3/8, 7/16, 1/2, 9/16, 5/8, 11/16, 3/4, metal tray)
77314	3/8" drive deep set (5/16, 3/8, 7/16, 1/2, 9/16, 5/8, 11/16, 3/4, metal tray)
72356M	3/8" drive metric set (8, 9, 10, 11, 12, 13, 14, 15, 16, 17, 18, 19, metal tray)
77357M	3/8" drive deep metric set (8, 9, 10, 11, 12, 13, 14, 15, 16, 17, 18, 19, metal tray)

1/2" Drive

Cat. No.	Description
74411	1/2" drive set (7/16, 1/2, 9/16, 5/8, 11/16, 3/4, 13/16, 7/8, 15/16, 1, 1-1/16, metal tray)
73412	1/2" drive deep set (3/8, 7/16, 1/2, 9/16, 5/8, 11/16, 3/4, 13/16, 7/8, 15/16, 1, metal tray)
74466M	1/2" drive metric set (10, 11, 12, 13, 14, 15, 16, 17, 18, 19, 20, 21, 22, 23, 24, 27, metal tray)
73467M	1/2" drive deep metric set (10, 11, 12, 13, 14, 15, 16, 17, 18, 19, 20, 21, 22, 23, 24, 27, metal tray)

3/4" Drive

Cat. No.	Description
075608L	3/4" drive deep set (7/8, 15/16, 1, 1-1/16, 1-1/8, 1-1/4, 1-5/16, 1-1/2)
075609	3/4" drive set (3/4, 13/16, 7/8, 15/16, 1, 1-1/16, 1-1/8, 1-3/16, 1-1/4, metal tray)
075610	3/4" drive set (3/4, 13/16, 7/8, 15/16, 1, 1-1/16, 1-1/8, 1-3/16, 1-1/4, 1-5/16, 1-3/8, 1-7/16, 1-1/2)

Heavy Duty Power Socket Sets 6 Point Impact Sockets

3/8" Drive

Cat. No.	Description
6260A	3/8" drive set (5/16, 3/8, 7/16, 1/2, 9/16, 5/8, 11/16, 3/4, metal tray)
6261D	3/8" drive deep set (5/16, 3/8, 7/16, 1/2, 9/16, 5/8, 11/16, 3/4, metal tray)
6262U	3/8" drive universal set (3/8, 7/16, 1/2, 9/16, 5/8, 11/16, 3/4, metal box)
6270M	3/8" drive metric set (9, 10, 11, 13, 14, 15, 17, 19, metal tray)
6271MD	3/8" drive metric deep set (9, 10, 11, 13, 14, 15, 17, 19, metal tray)
6272MU	3/8" drive metric universal set (10, 12, 13, 14, 15, 17, 19, metal box)

1/2" Drive

Cat. No.	Description
6360A	1/2" drive set (7/16, 1/2, 9/16, 5/8, 11/16, 3/4, 13/16, 7/8, 15/16, 1, 1-1/16, 1-1/8, 1-1/4, metal tray)
6361D	1/2" drive deep set (7/16, 1/2, 9/16, 5/8, 11/16, 3/4, 13/16, 7/8, 15/16, 1, 1-1/16, 1-1/8, 1-1/4, metal tray)
6362U	1/2" universal set (1/2, 9/16, 5/8, 11/16, 3/4, 13/16, 7/8, metal box)
6370M	1/2" drive metric set (10, 11, 12, 13, 14, 15, 16, 17, 18, 19, 21, 22, 26, 27, metal box)
6370MD	1/2" drive metric deep set (10, 11, 12, 13, 14, 15, 16, 17, 18, 19, 21, 22, 26, 27, metal tray)
6371MU	1/2" drive metric universal set (13, 14, 15, 17, 19, 21, 22, metal box)
7400SMFE	Lugnut service set (7401SF standard flip socket, 7401MF metric flip socket, 7403x 3" extension)

3/4" Drive

Cat. No.	Description
6460A	3/4" drive set (1, 1-1/16, 1-1/8, 1-1/4, 1-15/16, 1-3/8, 1-7/16, 1-1/2, metal box)
6461D	3/4" drive deep set (1, 1-1/16, 1-1/8, 1-1/4, 1-15/16, 1-3/8, 1-7/16, 1-1/2, metal box)

1" Drive

Cat. No.	Description
6560A	1" drive set (7/8, 15/16, 1, 1-1/16, 1-1/8, 1-3/16, 1-1/4, 1-1/2, metal box)
6561D	1" drive deep set (7/8, 15/16, 1, 1-1/16, 1-1/8, 1-3/16, 1-1/4, 1-1/2, metal box)
6562A	1" drive truck service set (13/16, sq.; 7/8, 15/16, 1, 1-3/16, 1-1/2 hex; 1-1/16, 1-1/8, 1-1/4 deep thin wall hex, metal box)



Accessories

3/8" Square Drive

Standard Depth

Cat. No.	Nut Size
A7210H	5/16"
A7212H	3/8"
A7214H	7/16"
A7218H	9/16"
A7220H	5/8"
A7222H	11/16"

Deep

Cat. No.	Nut Size
A7210HD	5/16"
A7212HD	3/8"
A7214HD	7/16"
A7218HD	9/16"
A7220HD	5/8"
A7222HD	11/16"
A7224HD	3/4"
A7226HD	13/16"
A7228HD	7/8"

Universal

Cat. No.	Nut Size
A7212U	3/8"
A7216U	1/2"
A7201DS	3/8"

Metric

Standard Depth

Cat. No.	Nut Size
A7210M	10mm
A7211M	11mm
A7212M	12mm
A7214M	14mm
A7216M	16mm
A7217M	17mm
A7219M	19mm

Metric Deep

Cat. No.	Nut Size
A7211MD	11mm
A7214MD	14mm
A7215MD	15mm
A7221MD	21mm

Metric Universal

Cat. No.	Nut Size
A7222MU	22mm

1/2" Square Drive

Standard Depth

Cat. No.	Nut Size
A7414H	7/16"
A7416H	1/2"
A7422H	11/16"
A7428H	7/8"
A7430H	15/16"
A7432H	1"
A7436H	1-1/8"

Deep

Cat. No.	Nut Size
A7418HD	9/16"
A7420HD	5/8"
A7422HD	11/16"
A7432HD	1"

Flip Socket

Cat. No.	Nut Size
A7401SF	3/4"x13/16"

Universal

Cat. No.	Nut Size
A7414U	7/16"
A7416U	1/2"
A7422U	11/16"
A7426U	13/16"
A7428U	7/8"

Metric

Standard Depth

Cat. No.	Nut Size
A7410M	10mm
A7411M	11mm
A7412M	12mm
A7413M	13mm
A7414M	14mm
A7416M	16mm
A7417M	17mm
A7420M	20mm
A7421M	21mm
A7424M	24mm
A7425M	25mm
A7426M	26mm
A7427M	27mm

1/2" Square Drive

Metric Deep

Cat. No.	Nut Size
A7410MD	10mm
A7411MD	11mm
A7412MD	12mm
A7413MD	13mm
A7414MD	14mm
A7415MD	15mm
A7416MD	16mm
A7417MD	17mm
A7420MD	20mm
A7421MD	21mm
A7423MD	23mm
A7424MD	24mm
A7426MD	26mm
A7427MD	27mm
A7436MD	36mm

Metric Flip Socket

Cat. No.	Nut Size
A7401MF	19x21mm

Metric Universal

Cat. No.	Nut Size
A7410MU	10mm
A7413MU	13mm
A7414MU	14mm
A7418MU	18mm
A7420MU	20mm

3/4" Square Drive

Standard Depth

Cat. No.	Nut Size
A07513	13/16"
A07514	7/8"
A07515	15/16"
A07516	1"
A07517	1-1/16"
A07518	1-1/8"
A07520	1-1/4"
A07522	1-3/8"
A07523	1-7/16"

Deep

Cat. No.	Nut Size
A07512D	3/4"
A07513D	13/16"
A07516D	1"
A07517D	1-1/16"
A07519D	1-3/16"
A07522D	1-3/8"
A07523D	1-7/16"

Deep Thin Wall

Cat. No.	Nut Size
A07517DT	1-1/16"

Metric Standard

Cat. No.	Nut Size
A07517M	17mm
A07530M	30mm
A07535M	35mm

1" Square Drive

Standard Depth

Cat. No.	Nut Size
A10013	13/16"
A10014	7/8"
A10015	15/16"
A10016	1"
A10017	1-1/16"
A10019	1-3/16"
A10022	1-3/8"
A10025	1-9/16"
A10028	1-3/4"
A10029	1-13/16"
A10033	2-1/16"
A10039	2-7/16"

1" Square Drive

Deep

Cat. No.	Nut Size
A10014D	7/8"
A10015D	15/16"
A10016D	1"
A10017D	1-1/16"
A10018D	1-1/8"
A10019D	1-3/16"
A10023D	1-7/16"
A10025D	1-9/16"
A10027D	1-11/16"
A10029D	1-13/16"
A10030D	1-7/8"
A10031D	1-15/16"
A10032D	2"

Deep Thin Wall

Cat. No.	Nut Size
A10017DT	1-1/16"

Square

Cat. No.	Nut Size
A10015S	15/16"

Budd Wheel

Cat. No.	Nut Size
A10024HS	1-1/2" Hex.

Metric

Standard Depth

Cat. No.	Nut Size
A10027M	27mm
A10035M	35mm

Metric Square

Cat. No.	Nut Size
A10017MS	17mm
A10021MS	21mm

#5 Spline Drive

Standard Depth

Cat. No.	Nut Size
A09915H	15/16"
A09919H	1-3/16"
A09920H	1-1/4"
A09926H	1-5/8"
A09928H	1-3/4"



Air Hammers



Hit harder with less effort and more accuracy as you do general repairs, exhaust system and front end work, bushing driving, and tough cutting jobs, using Ingersoll-Rand air hammers. The IR132 gives you added accuracy and control at 1,725 blows per minute with its "tease throttle" and built-in power regulator. The IR121 has a professional touch trigger for excellent control at 3,000 blows per minute and a tough one-piece alloy barrel for long life.

Air Hammers

Ingersoll-Rand Air Hammers are designed so you can let the tool do the work, whether it's cutting, punching, chipping, or scraping. Each air hammer comes with a coil spring retainer for fast and easy chisel changes. You can also get the Ingersoll-Rand air hammer kit, which includes the five piece chisel kit, or buy them separately.

Also, check out our latest addition – the IR125 needle scaler. It's perfect for surface preparation work.

Model Number	Performance Rating	Shank Opening in. (mm)	Blows Per Minute @90PSI	Bore Diameter in. (mm)	Stroke Length in. (mm)	Weight lbs. (kg)	Length in. (mm)	Av. Air Consumption cfm (l/min)	@ Load cfm (l/min)	Sound dBA (Pressure/Power)	Air Inlet NPTF in.	Min. Hose Size in. (mm)
IR115	Standard Duty	.401 (10.1)	5,000	$\frac{3}{4}$ (19)	$1\frac{5}{8}$ (41)	2.6 (1.18)	6.1 (155)	2 (57)	14 (396)	101.3/114.3	$\frac{1}{4}$	$\frac{3}{8}$ (10)
IR116	Standard Duty	.401 (10.1)	3,500	$1\frac{1}{16}$ (17.5)	$2\frac{5}{8}$ (67)	3.4 (1.54)	7.8 (198)	3 (85)	15 (425)	104.4/117.4	$\frac{1}{4}$	$\frac{3}{8}$ (10)
IR117	Standard Duty	.401 (10.1)	2,000	$1\frac{1}{16}$ (17.5)	$3\frac{1}{2}$ (89)	4.1 (1.86)	9.9 (251)	3 (85)	14 (396)	103.5/116.5	$\frac{1}{4}$	$\frac{3}{8}$ (10)
IR121	Super Duty	.401 (10.1)	3,000	$\frac{3}{4}$ (19)	$2\frac{9}{32}$ (58)	3.5 (1.59)	7.63 (194)	3 (85)	15 (425)	98.3/111.3	$\frac{1}{4}$	$\frac{3}{8}$ (10)
IR132	Super Duty	.401 (10.1)	1,725	$\frac{5}{16}$ (14)	4 (102)	3.4 (1.54)	8.5 (216)	3 (85)	11 (311)	N/A	$\frac{1}{4}$	$\frac{5}{16}$ (8)

Model Number	Performance Rating	Needle Type	Needle Qty.	Needle Size in. (mm)	Free Speed (rpm)	Bore Diameter in. (mm)	Stroke Length in. (mm)	Weight lbs. (kg)	Length in. (mm)	Av. Air Consumption cfm (l/min)	@ Load cfm (l/min)	Sound dBA (Pressure/Power)	Air Inlet NPTF in.	Min. Hose Size in. (mm)
IR125	Standard Duty	Needle Scaler	19	$\frac{1}{8}$ (3.2)	4,600	1 (25)	$1\frac{1}{8}$ (28.6)	6.22 (2.82)	18.3 (465)	8 (226)	15 (425)	99.6/112.6	$\frac{1}{4}$	$\frac{5}{16}$ (8)

IR115 Standard Duty Air Hammer

This powerful, yet economical high-speed air hammer, is designed for light exhaust system work and general cutting, chipping and scraping.

- Up to 5,000 blows per minute.
- Alloyed steel barrel and heat-treated piston for longer life.
- Built-in power regulator and trigger control.



Replacement Retainer
Spring Retainer 115-183

IR116 Standard Duty Air Hammer

The economical air hammer for fast cutting action, especially for medium exhaust system, panel cutting, and general repair work.

- Up to 3,500 blows per minute.
- Handles a range of cutting applications.
- Longer life alloyed steel barrel and heat-treated piston.

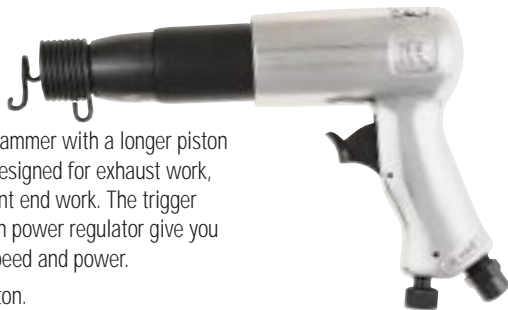


Replacement Retainer
Spring Retainer 115-183

IR117 Standard Duty Air Hammer

An economical air hammer with a longer piston stroke, this tool is designed for exhaust work, bolt cutting, and front end work. The trigger control and a built-in power regulator give you full control of the speed and power.

- Longer stroke piston.
- Alloyed steel barrel and heat-treated piston for longer life.
- Up to 2,000 blows per minute.



Replacement Retainer
Spring Retainer 115-183

IR121 Super Duty Air Hammer

Make fast work of body panel crimping and cutting, bushing driving, shearing and general front end work with this air hammer, a super duty tool that produces up to 3,000 blows per minute.

- Professional touch trigger for total control.
- Long-life tool with a tough one piece alloy barrel.
- Easy to maintain, with an "easy out" throttle valve assembly.



Replacement Retainers
Spring Retainer (as shown) AVC10-183A
Bee-hive AVC1-83

IR121K6 Air Hammer Kit

The IR121 is available with 6 chisels and a blowmolded plastic case complete with a removable lid. To order the complete kit (which includes the IR121) use model number IR121K6.

Model Number	Performance Rating	Shank Opening in. (mm)	Blows Per Minute @90PSI	Bore Diameter in. (mm)	Stroke Length in. (mm)	Weight lbs. (kg)	Length in. (mm)	Av. Air Consumption cfm (l/min)	@ Load cfm (l/min)	Sound dBA (Pressure/Power)	Air Inlet NPTF in.	Min. Hose Size in. (mm)
IR115	Standard Duty	.401 (10.1)	5,000	3/4 (19)	1 5/8 (41)	2.6 (1.18)	6.1 (155)	2 (57)	14 (396)	101.3/114.3	1/4	3/8 (10)
IR116	Standard Duty	.401 (10.1)	3,500	1 1/16 (17.5)	2 5/8 (67)	3.4 (1.54)	7.8 (198)	3 (85)	15 (425)	104.4/117.4	1/4	3/8 (10)
IR117	Standard Duty	.401 (10.1)	2,000	1 1/16 (17.5)	3 1/2 (89)	4.1 (1.86)	9.9 (251)	3 (85)	14 (396)	103.5/116.5	1/4	3/8 (10)
IR121	Super Duty	.401 (10.1)	3,000	3/4 (19)	2 9/32 (58)	3.5 (1.59)	7.63 (194)	3 (85)	15 (425)	98.3/111.3	1/4	3/8 (10)

Air Hammers

IR125 Standard Duty Needle Scaler

For surface preparation work involving the cleaning or removal of paint, rust, dirt, or weld slag, the IR125 is a durable, dependable, economical solution.

- 19 needles.
- Each needle 1/8" (3.2mm).
- 4,600 blows per minute at free speed.



IR132 Super Duty Air Hammer

Professionals who want the best choose this tool for front end work, heavy exhaust work, riveting, king pin removal, bushing driving, and bolt shearing.

- Extra-sensitive tease throttle controls starting strokes.
- Up to 1,725 blows per minute.
- Longer stroke piston.



Replacement Retainers

Bee-hive (as shown) AVC1-83
Spring Retainer AVC10-183A

IR115K, IR116K, IR117K Air Hammer Kits

When you buy an Ingersoll-Rand Air Hammer Kit, you get an air hammer in the size and capacity of your choice, plus the matching five-piece chisel kit. Or you can buy the Chisel Kit separately.

IR116K5 Chisel Kit

A protective plastic pouch holds a selection of chisels with .401" shank diameters to match your Ingersoll-Rand Air Hammer. Kit includes:

- Edging Tool
- Tail Pipe Cutter
- Straight Chisel
- Cutting Chisel
- Punch



Model Number	Performance Rating	Needle Type	Needle Qty.	Needle Size in. (mm)	Free Speed (rpm)	Bore Diameter in. (mm)	Stroke Length in. (mm)	Weight lbs. (kg)	Length in. (mm)	Av. Air Consumption cfm (l/min)	@ Load cfm (l/min)	Sound dBA (Pressure/Power)	Air Inlet NPTF in.	Min. Hose Size in. (mm)
IR125	Standard Duty	Needle Scaler	19	1/8 (3.2)	4,600	1 (25)	1 1/8 (28.6)	6.22 (2.82)	18.3 (465)	8 (226)	15 (425)	99.6/112.6	1/4	5/16 (8)

Model Number	Performance Rating	Shank Opening in. (mm)	Blows Per Minute @90PSI	Bore Diameter in. (mm)	Stroke Length in. (mm)	Weight lbs. (kg)	Length in. (mm)	Av. Air Consumption cfm (l/min)	@ Load cfm (l/min)	Sound dBA (Pressure/Power)	Air Inlet NPTF in.	Min. Hose Size in. (mm)
IR132	Super Duty	.401 (10.1)	1,725	5/16 (14)	4 (102)	3.4 (1.54)	8.5 (216)	3 (85)	11 (311)	N/A	1/4	5/16 (8)

Air Cutting Tools and Grinders



With high-strength steels, advanced plastics, and new composite materials in today's cars and trucks, you need versatile tools for precise, controlled cutting. Ingersoll-Rand cutting tools are the reliable choice of auto body and repair shops, used for everything from muffler and exhaust work to sun roof installations and body repairs.

Air Cutting Tools and Grinders

The Ingersoll-Rand air shear, air nibbler, and air reciprocating saw give you speed and power plus tight accuracy for intricate shapes and details. You get six high speed steel cutting blades and two hex wrenches included with the IR429 air reciprocating saw. All three of these high quality heavy duty cutting tools make clean cuts in materials including cold rolled steel, most plastics, aluminum, tin, and other materials of up to 18-20 gauge thicknesses. The IR326 Air Cut-Off Tool cuts off mufflers and tail pipes quickly, efficiently, and quietly. It also cuts sheet metal, nuts and bolts. Our air die grinders are economical, long-life tools with throttle levers designed to prevent accidental starting and to give you excellent speed control.

Model Number	Performance Rating	Strokes Per Min.	Free Speed (rpm)	Weight lb. (kg)	Length in. (mm)	Avg. Air Consumption cfm (l/min)	@ Load cfm (l/min)	Sound dBA (Pressure/Power)	Air Inlet NPTF in.	Min. Hose Size in. (mm)	Rated Power hp (kW)	Collet Size in.
IR301	Standard Duty	N/A	20,000	.99 (.45)	5 (127)	3 (85)	14 (390)	90/103	1/4	3/8 (10)	.25 (.19)	1/4
IR302	Heavy Duty	N/A	18,000	.97 (.44)	2.9 (74)*	3 (85)	12 (340)	98.4/111.4	1/4	3/8 (10)	.33 (.25)	1/4
IR307A	Standard Duty	N/A	27,000	.69 (.31)	4.75 (121)	3 (85)	14 (390)	84.7/97.7	1/4	3/8 (10)	.25 (.19)	1/4
IR308	Heavy Duty	N/A	25,000	1.16 (.53)	5.63 (143)	3 (85)	20 (566)	95.1/108.1	1/4	3/8 (10)	.33 (.25)	1/4
IR325	Heavy Duty	3,200	N/A	2.1 (.95)	7.3 (185)	4 (113)	17 (481)	90.2/103.2	1/4	3/8 (10)	N/A	N/A
IR326	Heavy Duty	N/A	18,000	2.3 (1.04)	8.88 (226)	10 (283)	25 (708)	94.3/107.3	1/4	3/8 (10)	N/A	N/A
IR344	Super Duty	N/A	12,000	3.7 (1.7)	9.25 (235)	9 (252)	26.5 (742)	80.6/93.6	1/4	3/8 (10)	.8 (.6)	3/8-24**
IR429	Heavy Duty	9,000	N/A	1.32 (0.60)	9 (229)	8 (226)	7 (198)	76.9/89.9	1/4	3/8 (10)	N/A	N/A
IR7802S	Heavy Duty	4,200	N/A	2.8 (1.27)	9.4 (239)	4 (113)	21 (595)	N/A	1/4	3/8 (10)	N/A	N/A

*Height

**Spindle Size

IR301

Standard Duty

Multi-Purpose Air Angle Die Grinder

Part of an expanded line of economical, standard duty grinders, the IR301 packs valuable features into a compact package. Use it for grinding, edge-breaking, deburring, porting, and polishing. Wherever space is tight, its right-angle configuration provides easy access.

- Compact, lightweight, easy to handle.
- Self-locking throttle.
- Ball bearing construction for durability.
- Precision machined gearing delivers maximum power transfer.

Available in kit form with ten mounted tips (Part #301-K) or eight 3-inch surface conditioning discs and pad (Part #301-3MK).

Also available in four kit options.
(Part #301-K, 301-32MK, 301-2MK, 301-3MK).
See page 28 for details.



IR302

Heavy Duty

Air Angle Die Grinder

When a straight tool isn't practical for working in confined areas, this is the economical die grinder with a right angle head to use. It's compact and well-designed for grinding, porting, polishing, de-burring, and breaking sharp edges.

- Durable and long-lasting.
- All ball bearing construction.
- Precision-machined steel gears.
- Positive grip 1/4" capacity collet chuck.
- Self-locking throttle lever.

Available in kit form with eight 3-inch surface conditioning discs and pad (Part #302-3MK).

Also available in three kit options.
(Part #302-32MK, 302-2MK, 302-3MK).
See page 28 for details.



IR307A

Standard Duty

Mini Air Die Grinder

Part of an expanded line of economical, standard duty grinders, the IR307A combines performance and versatility in a lightweight, compact package. It can be used with all types of accessories for porting, weld breaking, and smoothing sharp edges... as well as deburring, polishing, and grinding.

- Superior maneuverability.
- Standard 1/4" collet for all types of accessories.
- Safety lever prevents accidental starts.
- Front exhaust helps keep work surface clean.
- Versatile and reliable.

Available in kit form with ten mounted tips (Part #307-K).

Also available in four kit options.
(Part #307-K, 307-32MK, 307-2MK, 307-3MK).
See page 28 for details.



IR308

Heavy Duty

Air Die Grinder

A durable yet economical choice offering longer-life and higher free speed at 25,000 rpm. A general purpose tool designed for porting, light weld grinding, and breaking sharp edges.

- Ball bearing construction for longer tool life.
- Comes with two collet wrenches.
- Self-locking throttle lever.
- Positive grip 1/4" capacity collet chuck.



Model Number	Performance Rating	Free Speed (rpm)	Weight lb. (kg)	Length in. (mm)	Av. Air Consumption cfm (l/min)	@ Load cfm (l/min)	Sound dBA (Pressure/Power)	Air Inlet NPTF in.	Min. Hose Size in. (mm)	Rated Power hp (kW)	Collet Size in.
IR301	Standard Duty	20,000	.99 (.45)	5 (127)	3 (85)	14 (390)	90/103	1/4	3/8 (10)	.25 (.19)	1/4
IR302	Heavy Duty	18,000	.97 (.44)	2.9 (74)*	3 (85)	12 (340)	98.4/111.4	1/4	3/8 (10)	.33 (.25)	1/4
IR307A	Standard Duty	27,000	.69 (.31)	4.75 (121)	3 (85)	14 (390)	84.7/97.7	1/4	3/8 (10)	.25 (.19)	1/4
IR308	Heavy Duty	25,000	1.16 (.53)	5.63 (143)	3 (85)	20 (566)	95.1/108.1	1/4	3/8 (10)	.33 (.25)	1/4

*Height

Air Cutting Tools and Grinders

IR325

Heavy Duty Air Nibbler

Get a bigger bite and better angle cuts with our air nibbler. Instead of shearing or sawing, the tool actually “nibbles” cold rolled steel, plastic, tin, aluminum, and other metals, up to 18 gauge thicknesses at a rate of more than 6 ft. per minute. It's ideal for paint and auto body shops, tinsmiths, and sheet metal shops.

- Cuts out quarter panels without distorting the edges of the material.
- Starts cuts in the center of a panel.
- Holds a tight 1/4" radius with great accuracy.
- Easy to operate and control.
- Balanced, lightweight tool.



IR326

Heavy Duty Air Cut-Off Tool

Exhaust replacement is this powerful tool's specialty. Now you can cut off mufflers and tail pipes quickly, efficiently, and quietly. It has an 18,000 rpm motor that can handle the toughest exhaust replacements and cut sheet metal, nuts and bolts.

- Fast, quiet, 2-7/8" diameter.
- Contoured lever throttle with positive self-locking action.
- Built-in speed regulator.
- 360 degree rotatable chrome-plated spark guard.



IR344

Super Duty Air Angle Grinder

The new IR344 – the perfect choice for high performance finishing. This 4" Air Angle Grinder combines a unique motor controller that virtually eliminates overspeeding...with a powerful .8hp motor to provide plenty of power for rust and material removal.

- Rear exhaust with piped-away option.
- Composite grip for improved comfort.
- Locking lever with tease throttle.
- Lightweight design.



IR429

Heavy Duty Air Reciprocating Saw

The new IR429 is a versatile air saw for cutting intricate shapes and light radius curves in all types of plastics, fiberglass, and composite materials, as well as aluminum and sheet metal. This reduced vibration tool is excellent for body shop repair, muffler and exhaust work, and sun roof installations.

- Comes with six high-speed steel cutting blades and two hex wrenches.
- Cut on flat and curved surfaces.
- Durable, long-life tool.



Model Number	Performance Rating	Strokes Per Min.	Free Speed (rpm)	Weight lb. (kg)	Length in. (mm)	Av. Air Consumption cfm (l/min)	@ Load cfm (l/min)	Sound dBA (Pressure/Power)	Air Inlet NPTF in.	Min. Hose Size in. (mm)	Rated Power hp (kW)	Collet Size in.
IR325	Heavy Duty	3,200	N/A	2.1 (.95)	7.3 (185)	4 (113)	17 (481)	90.2/103.2	1/4	3/8 (10)	N/A	N/A
IR326	Heavy Duty	N/A	18,000	2.3 (1.04)	8.88 (226)	10 (283)	25 (708)	94.3/107.3	1/4	3/8 (10)	N/A	N/A
IR344	Super Duty	N/A	13,500	3.7 (1.7)	9.25 (235)	9 (252)	26.5 (742)	80.6/93.6	1/4	3/8 (10)	.8 (.6)	3/8-24**
IR429	Heavy Duty	10,000	N/A	1.32 (0.60)	8.25 (210)	8 (226)	7 (198)	87.3/100.3	1/4	3/8 (10)	N/A	N/A

**Spindle Size

Accessories

IR7802S

Heavy Duty

Air Shear

The versatile cutting shear that makes clean cuts in cold rolled steel up to 20 gauge without chips. Ideal for body shops, sheet metal shops, air conditioning fabricators, plastic fabricators, heating contractors, and machine shops.

- Cuts squares, angles, and circles.
- Long-life tool with heavy duty cutting blades.
- Shears most types of plastics and all types of aluminum, tin, and steel.



IR814

Super Cut

Eight Piece Bur Kit – Wood Case

Contains eight of the most popular types of carbide grinding burs.

- IRSA-3 IRSD-1
- IRSA-5 IRSD-3
- IRSC-1 IRSF-3
- IRSC-3 IRSF-5



Model Number	Performance Rating	Strokes Per Min.	Free Speed (rpm)	Weight lb. (kg)	Length in. (mm)	Avg. Air Consumption cfm (l/min)	@ Load cfm (l/min)	Sound dBA (Pressure/Power)	Air Inlet NPTF in.	Min. Hose Size in. (mm)	Rated Power hp (kW)	Collet Size in.
IR7802S	Heavy Duty	4,200	N/A	2.8 (1.27)	9.4 (239)	4 (113)	21 (595)	N/A	1/4	3/8 (10)	N/A	N/A

Kits

IR301-32MK/IR302-32MK

Surface Conditioning Kit

Ingersoll-Rand has packed your choice of either the IR301 or IR302 in a strong, blowmolded plastic case along with two coarse and two medium grit 3" 3M Roloc™ surface conditioning pads, two coarse, two medium grit 2" 3M Roloc™ surface conditioning pads and a disc holder. The case can also accommodate:

- 2" Roloc™ surface conditioning discs.
- 2" disc holder in place of three-inch discs.



IR301-2MK/IR302-2MK

Surface Conditioning Kit

Ingersoll-Rand has packed your choice of either the IR301 or IR302 in a strong, blowmolded plastic case along with four coarse and four medium grit 2" 3M Roloc™ surface conditioning pads and a disc holder. The case can also accommodate:

- 2" Roloc™ surface conditioning discs.
- 2" disc holder in place of three-inch discs.



IR301-3MK/IR302-3MK

Surface Conditioning Kit

Ingersoll-Rand has packed your choice of either the IR301 or IR302 in a strong, blowmolded plastic case along with four coarse and four medium grit 3" 3M Roloc™ surface conditioning pads and a disc holder. The case can also accommodate:

- 2" Roloc™ surface conditioning discs.
- 2" disc holder in place of three-inch discs.



IR301-K/IR307-K

Die Grinder Kit

Ingersoll-Rand has packed your choice of either the IR301 or IR307 in a strong, blowmolded plastic case complete with 10 mounted grinding tips.



IR301



IR307-K

Air Finishing Tools



With all the changes in automotive materials like clear coat finishes, composites, and plastics, you need sanders to match the different jobs. Ingersoll-Rand has the most complete line of sanders and polisher/buffers, from traditional styles for heavy material removal to the newest models for excellent control and brilliant surfaces.

The newest IR4100 Series sanders are also specially designed to keep the air around you and your work surface clean. There are Jet-Vac™ and vacuum-assist models that help maintain a clean, dust-free environment.

These sanders feature internal components designed to run on totally dry air. This also means no oil on the work surface or in the workplace.

Air Finishing Tools

All the latest advances have been designed into Ingersoll-Rand's random orbital and orbital sanders. Every detail is shaped to fit your hand perfectly, with a choice of standard and "mini" grips and a wide finger ridge for better feel and control. The IR4100 series even offers a choice of three interchangeable grip rings. The lever throttle takes the pressure off your palm. Vibration and sound are reduced to a minimum. You get the power and precision you need so you can do your best, most sophisticated work.

You can choose from a variety of air sanders, including orbital and air geared sanders, straight line, angle, or vertical sanders. For buffing and polishing paint, metal, or plastic to a high gloss, professional finish, you have a choice of two polisher/buffers with variable speed control lever throttles to help eliminate paint burning.

All Ingersoll-Rand sanders are designed for long life service and swirl-free finishes.

Model Number	Performance Rating	Free Speed (rpm)	Rated Power hp (kW)	Pad Diameter in. (mm)	Vacuum Ready	Weight lbs. (kg)	Average Air Consumption cfm (l/min.)	@ Load cfm (l/min.)	Sound dBA (Pressure/Power)	Air Inlet in.	Min. Hose Size in. (mm)	Spindle in.
IR310	Heavy Duty	10,000	.25	6 (150)	No	4.6 (2.09)	4 (113)	16 (453)	84.2/97.2	¼	⅜ (10)	N/A
IR311A	Heavy Duty	10,000	.25	6 (150)	No	4.2 (1.91)	4 (113)	17 (481)	85.6/98.6	¼	⅜ (10)	N/A
IR312	Heavy Duty	8,000	.30 (.22)	3⅜ x 6¼ (92 x 171) ^b	No	4.6 (2.09)	6 (170)	12 (340)	94.1/107.1	¼	⅜ (10)	N/A
IR313	Heavy Duty	5,000	N/A	7 (175)	No	4.2 (1.91)	8 (226)	23 (651)	99.3/112.3	¼	⅜ (10)	⅝ -11
IR314	Heavy Duty	2,500	N/A	7 (175)	No	4.2 (1.91)	8 (226)	22 (623)	97.3/110.3	¼	⅜ (10)	⅝ -11
IR315	Heavy Duty	3,000 ^a	N/A	2¾ x 17½ (70 x 455) ^b	No	6.6 (2.99)	8 (226)	9 (255)	93.3/106.3	¼	⅜ (10)	N/A
IR317	Heavy Duty	18,000	N/A	5 (125)	No	2.3 (1.04)	12 (340)	25 (708)	96.5/109.5	¼	⅜ (10)	N/A
IR318	Heavy Duty	2,800	N/A	7 (175)	No	4.5 (2.04)	6 (170)	21 (595)	90.5/103.5	¼	⅜ (10)	⅝ -11
IR319	Heavy Duty	5,000	N/A	7 (175)	No	4.5 (2.09)	6 (170)	20 (566)	90.8/103.8	¼	⅜ (10)	⅝ -11
IR327	Heavy Duty	22,000	.5 (.38)	⅜ (10) ^c	No	1.6 (.73)	15 (425)	28 (793)	90.9/103.9	¼	⅜ (10)	⅜ (10) ^c
IR328A	Heavy Duty	825	.25	8 (200)	No	4.7 (2.13)	4 (113)	16 (453)	90.45/93.7	¼	⅜ (10)	N/A
IR351	Super Duty	10,000	.30 (.22)	6 (150)	No	2.3 (1.04)	5 (142)	18 (510)	79.1/92.1	¼	⅝ (8)	N/A
IR352	Super Duty	10,000	.30 (.22)	6 (150)	No	2.5 (1.13)	5 (142)	19 (538)	79.1/92.1	¼	⅝ (8)	N/A
IR354	Super Duty	10,000	.30 (.22)	6 (150)	Yes	2.3 (1.04)	5 (142)	17 (481)	85.1/98.1	¼	⅝ (8)	N/A
IR355	Super Duty	10,000	.30 (.22)	6 (150)	Yes	2.6 (1.18)	5 (142)	20 (566)	85.1/98.1	¼	⅝ (8)	N/A
IR359	Super Duty	10,000	.30 (.22)	3⅜ x 9 (92 x 229) ^b	No	3.6 (1.63)	6 (170)	19 (538)	78.4/91.4	¼	⅝ (8)	N/A
IR4151	Ultra Duty	12,000	.20 (.15)	6 (150)	Yes	1.92 (.87)	8 (220)	15.5 (430)	78/91	¼	⅝ (8)	N/A

^a 1" Length Strokes (per min)

^b Rectangular Pad Size

^c Chuck Size

IR310

Heavy Duty

Air Dual Action Sander—6" Pad

The economical, high quality dual action sander used for feather edging, metal preparation and finish work on body filler. The orbital motion is used for fine swirl-free finishes, while the rotary motion is for material removal.

- Dual action pad.
- Vibration-free performance.
- Balanced ball bearing construction.
- Built-in speed regulator.



IR311A

Heavy Duty

Air Dual Action Quiet Sander—6" Pad

A built-in silencer muffles noise as you work with this economical dual action sander. It's a quality sander used for feather edging, metal preparation and finish work on body filler. And its dual action pad motion produces swirl-free finishes.

- Vibration-free.
- Dependable performance.
- Balanced ball bearing construction.
- Adjustable built-in regulator for positive speed control.



IR312

Heavy Duty

Air Orbital Sander – 3-2/3" x 6-3/4" Pad

The IR312 air orbital sander has a free speed up to 8,000 rpm to make fast work of smoothing fiberglass, wood, and body filler and to take care of any sanding job on paint, metal, and fiberglass. And you can run the IR312 with one hand, using the compact, contoured palm-grip.

- No vibration plus longer-life.
- Balanced ball bearing construction.
- Automatic release throttle lever with positive stop action.
- Built-in regulator for positive speed control.
- Positive locking clamps.



IR313

Heavy Duty

Air Angle Sander—7" Pad

With up to 5,000 rpm free speed, you can work faster on light and heavy sanding jobs, including roughing body filler, removing rust, and smoothing welds.

- Heavy duty motor handles tough jobs.
- Lightweight, only 4.2 lbs.
- Ball bearing construction for long life.



Model Number	Performance Rating	Free Speed (rpm)	Rated Power hp (kW)	Pad Diameter in. (mm)	Vacuum Ready	Weight lbs. (kg)	Average Air Consumption cfm (l/min.)	@ Load cfm (l/min.)	Sound dBA (Pressure/Power)	Air Inlet in.	Min. Hose Size in. (mm)	Spindle in.
IR310	Heavy Duty	10,000	.25	6 (150)	No	4.6 (2.09)	4 (113)	16 (453)	84.2/97.2	1/4	3/8 (10)	3/8-24
IR311A	Heavy Duty	10,000	.25	6 (150)	No	4.2 (1.91)	4 (113)	17 (481)	85.6/98.6	1/4	3/8 (10)	3/8-24
IR312	Heavy Duty	8,000	.30 (.22)	3 2/3 x 6 3/4 (92 x 171) ^b	No	4.6 (2.09)	6 (170)	12 (340)	94.1/107.1	1/4	3/8 (10)	N/A
IR313	Heavy Duty	5,000	N/A	7 (175)	No	4.2 (1.91)	8 (226)	23 (651)	99.3/112.3	1/4	3/8 (10)	5/8-11

^b Rectangular Pad Size

Air Finishing Tools

IR314

Heavy Duty

Air Angle Polisher/Buffer – 7" Pad

A versatile tool with a high free speed range of 1,500-2,500 for buffing and polishing a wide range of surfaces – paint, metal, and plastic – to a high-gloss, professional finish. With its heavy duty motor, this polisher can handle the toughest jobs.

- Long-life, ball bearing construction.
- Dead handle and spindle for easy handling.
- Built-in regulator.
- Up to 2,500 rpm in free speed.



IR315

Heavy Duty

Air Twin Piston Straight Line Sander – 2-3/4" x 17-1/2" Pad

The twin piston design keeps extra power in reserve to prevent stalling and tackle sanding jobs like smoothing down body filler or shaping and leveling large flat surfaces.

- 3,000 reciprocating strokes per minute.
- Quick action paper clamps.
- Smooth, reliable power.



IR317

Heavy Duty

Air High-Speed Sander–5" Pad

For small jobs and hard-to-reach places, the IR317 is an economical high-speed sander ideal for light sanding, feather edging, and rust removal.

- Easy to handle, compact and lightweight.
- Built-in power regulator.
- Comes with three backing pads, 317-825 1 each 3", 1 each 4", and 1 each 5" (stackable).



IR318

Heavy Duty

Air Vertical Polisher/Buffer–7" Pad

Buff and polish all painted surfaces easily. This compact, lightweight vertical polisher/buffer gives you the results you want, even on the tough jobs. The variable speed control lever throttle helps eliminate paint burning. Comes complete with a 7" backing pad.

- Long tool life from the planetary gear reduction feature.
- Plenty of power from the 1 hp motor.
- Handle exhaust directs air away from work area.



Model Number	Performance Rating	Free Speed (rpm)	Rated Power hp (kW)	Pad Diameter in. (mm)	Vacuum Ready	Weight lbs. (kg)	Average Air Consumption cfm (l/min.)	@ Load cfm (l/min.)	Sound dBA (Pressure/Power)	Air Inlet in.	Min. Hose Size in. (mm)	Spindle in.
IR314	Heavy Duty	2,500	N/A	7 (175)	No	4.2 (1.91)	8 (226)	22 (623)	97.3/110.3	1/4	3/8 (10)	5/8-11
IR315	Heavy Duty	3,000 ^a	N/A	2 3/4 x 17 1/2 (70 x 455) ^b	No	6.6 (2.99)	8 (226)	9 (255)	93.3/106.3	1/4	3/8 (10)	N/A
IR317	Heavy Duty	18,000	N/A	5 (125)	No	2.3 (1.04)	12 (340)	25 (708)	96.5/109.5	1/4	3/8 (10)	N/A
IR318	Heavy Duty	2,800	N/A	7 (175)	No	4.5 (2.04)	6 (170)	21 (595)	90.5/103.5	1/4	3/8 (10)	5/8-11

^a 1" Length Strokes (per min)

^b Rectangular Pad Size

IR319

Heavy Duty

Air Vertical Sander – 7" Pad

A high quality sander made to handle demanding jobs like rust removal and sanding metal and body filler, the IR319 comes complete with one 7" backing pad.

- Longer gear life plus better gearing for better power.
- Planetary gear reduction feature.
- Lever throttle for speed control.
- Handle exhaust directs air away from work area.



IR327

Heavy Duty

Air High-Speed Tire Buffer

With a free speed up to 22,000 rpm and powerful 1/2- hp motor, the IR327 will make quick work of patchwork and roughing up low areas for recapping, tire scuffing and cleaning tire moldings.

- Lever throttle for easy operation.
- Rear exhaust keeps air away from you and your work.



IR328A

Heavy Duty

Air Geared Orbital Sander – 8" Pad

The smooth strength and power of this air geared orbital sander lets you remove heavy material and body filler on large, flat surfaces leaving a clean, swirl-free finish.

- Dual action pad motion.
- A long-life, vibration-free performance.
- Balanced ball bearing construction.



IR351

Super Duty

Air Random Orbital Sander

This standard non-vacuum sander comes with a 3.3" grip for comfortable operation.



Model Number	Performance Rating	Free Speed (rpm)	Rated Power hp (kW)	Pad Diameter in. (mm)	Vacuum Ready	Weight lbs. (kg)	Average Air Consumption cfm (l/min.)	@ Load cfm (l/min.)	Sound dBA (Pressure/Power)	Air Inlet in.	Min. Hose Size in. (mm)	Spindle in.
IR319	Heavy Duty	5,000	N/A	7 (175)	No	4.5 (2.09)	6 (170)	20 (566)	90.8/103.8	1/4	3/8 (10)	3/8-11
IR327	Heavy Duty	22,000	.5 (.38)	3/8 (10) ^C	No	1.6 (.73)	15 (425)	28 (793)	90.9/103.9	1/4	3/8 (10)	3/8 (10)
IR328A	Heavy Duty	825	.25	8 (200)	No	4.7 (2.13)	4 (113)	16 (453)	90.45/93.7	1/4	3/8 (10)	N/A
IR351	Super Duty	10,000	.30 (.22)	6 (150)	No	2.3 (1.04)	5 (142)	18 (510)	79.1/92.1	1/4	5/16 (8)	5/16-24

^C Chuck Size

Air Finishing Tools

IR352

Super Duty

Long Handled Grip Air Random Orbital Sander

If you prefer a long-handled random orbital sander, this one is a lube-free, non-vacuum model that will provide all the technical excellence and advances in comfort you're looking for.

- Long handle for alternate gripping area.
- Added comfort for extended use.
- Non-vacuum model.



IR354

Super Duty

Central Vacuum Air Random Orbital Sander

The IR354 is a lube-free, vacuum-ready model designed with a standard 3.3" grip to fit larger hands. It connects easily to portable or central vacuum systems for highly effective dust removal.

- Operates lube-free.
- Standard 3.3" grip.
- Vacuum-ready.



IR355

Super Duty

Venturi-Vac Air Random Orbital Sander

If you want high performance and comfort choose the IR355 model. It has a standard-sized, 3.3" cushion grip with a non-slip surface that won't absorb cold air. It operates lube-free and has a self-contained vacuum system to pick up dust and other airborne particles.

- Comes with vacuum hose, adapters and dust collection bag.
- Keeps working environment extra clean.
- Operates lube-free.



IR359

Super Duty

Air Orbital Sander – 3-2/3" x 9" Pad

This is the most advanced, rectangular orbital sander you can buy. The IR359 responds to your touch so effortlessly, you'll be able to work far longer than with any other sander. It glides along any surface you want to sand, including paint, metal, fiberglass, wood, and body filler.

- Sponge rubber pad type.
- Soft contours take the pressure off your palm.
- Low vibration levels.
- Counterbalance design.



Model Number	Performance Rating	Free Speed (rpm)	Rated Power hp (kW)	Pad Diameter in. (mm)	Vacuum Ready	Weight lbs. (kg)	Average Air Consumption cfm (l/min.)	@ Load cfm (l/min.)	Sound dBA (Pressure/Power)	Air Inlet in.	Min. Hose Size in. (mm)	Spindle in.
IR352	Super Duty	10,000	.30 (.22)	6 (150)	No	2.5 (1.13)	5 (142)	19 (538)	79.1/92.1	1/4	5/16 (8)	N/A
IR354	Super Duty	10,000	.30 (.22)	6 (150)	Yes	2.3 (1.04)	5 (142)	17 (481)	85.1/98.1	1/4	5/16 (8)	N/A
IR355	Super Duty	10,000	.30 (.22)	6 (150)	Yes	2.6 (1.18)	5 (142)	20 (566)	85.1/98.1	1/4	5/16 (8)	N/A
IR359	Super Duty	10,000	.30 (.22)	3 2/3 x 9 (92 x 229) ^b	No	3.6 (1.63)	6 (170)	19 (538)	78.4/91.4	1/4	5/16 (8)	N/A

^b Rectangular Pad Size

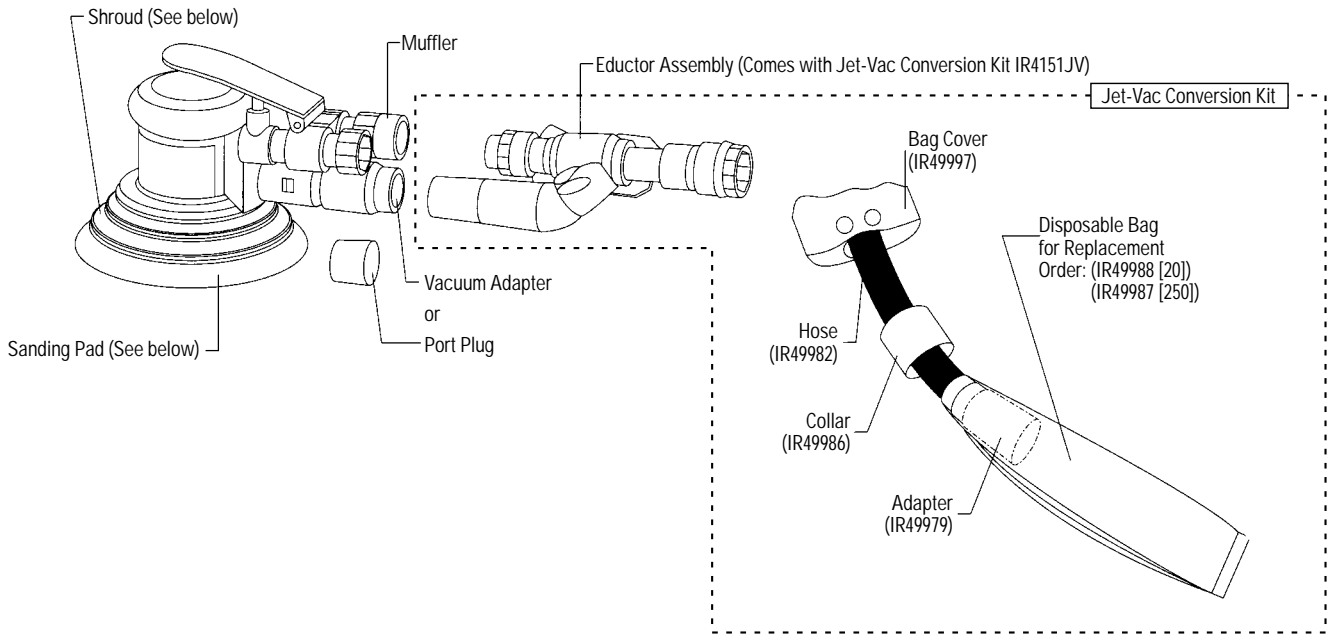
IR4151

Ultra Duty

Vacuum-Ready Air Random Orbital Sander

This vacuum-ready, low vibration model produces an ultra-high quality finish and connects easily to central or portable vacuum systems. Combining the IR4151 with the IR4151JV Jet-Vac conversion kit makes this tool a self-generated vacuum sander, producing twice the vacuum power of the nearest competitor. The IR4151 extracts dust and particles through and around the pad keeping foreign matter away from the motor. The vacuum sanding pad features a unique design and large 1/2" diameter holes for efficient operation. Virtually all dust is instantly channeled away from the work.

- 12,000 rpm free speed for swirl-free finishes.
- Durable, lightweight composite design weighs less than 2 lbs!
- Interchangeable grip rings available to match operator hand sizes.



Model Number	Performance Rating	Free Speed (rpm)	Rated Power hp (kW)	Pad Diameter in. (mm)	Vacuum Ready	Weight lbs. (kg)	Average Air Consumption cfm (l/min.)	@ Load cfm (l/min.)	Sound dBA (Pressure/Power)	Air Inlet in.	Min. Hose Size in. (mm)	Spindle in.
IR4151	Ultra Duty	12,000	.20 (.15)	6 (150)	Yes	1.92 (.87)	8 (220)	15.5 (430)	78/91	1/4	5/8 (8)	N/A

Accessories

IR4100 Series Major Components and Accessories

Premium Quality Low-Profile Pads

Non-Vac, 3/8" (9.5mm) thick

6" Vinyl	IR49879-1
6" Duck	IR49880-1
5" Vinyl	49094-1
5" Duck	IR49877-1

Vacuum, 3/8" (9.5mm) thick

(6" petal pattern provided with every sander)

6" Petal Pattern	354-825-6A
6" Hook and Loop	49694
5" Petal Pattern	IR49096-1

Grip Rings

("large" ring provided with every sander)

Gray (small)	IR49801
Black (medium)	IR49798
Blue (large)	IR49799

Vacuum Adapters - 3154

Port Adapter	IR49802
--------------	---------

Shrouds

Short

(Standard on 4151)	IR48266-1
--------------------	-----------

Long

IR48878

Jet-Vac Vacuum Bags

Jet-Vac Dust Collection Bag (External)	IR49997
---	---------

20 Quantity Pack (Disposable)	IR49988
----------------------------------	---------

250 Quantity Pack (Disposable)	IR49987
-----------------------------------	---------

Jet-Vac Conversion Kit

6" Pad	IR4151JV
--------	----------

Includes:

Part No.	Description	Quantity
48878	6" shroud	1
49973	Disposable bag	3
49997	Cloth bag cover	1
49976	Eductor assembly	1
49979	Bag adapter	1
49982	Hose	1
49986	Collar	1

Service Kit

(for preventative maintenance)

IR49837 Pad Wrench (included with every tool)	354-69
---	--------

Spanner Wrenches

Use to remove the lock ring securing the motor assembly	351-26
---	--------

The full range of Ingersoll-Rand sanding, backing, and polishing pads will help you do every sanding, polishing, and grinding job to your satisfaction.

315-39 Straight Line Sanding Pad

For use with IR315. Non-metallic material reduces side strap wear caused by metallic sanding pads. Fits other similar brands of straight-line sanders.



6135A Polishing Pad

8" diameter, 2" thick polyester foam. For use with IR314, IR318 or any polisher with a 5/8"-11 spindle.



317-825 Backing Pads

For use with IR317, one each 3", 4", 5" backing pads.



For IR313, IR314, IR318, and IR319

Cat. No.	Dia.	Description
Standard Duty		
313-825-7	7"	Rigid backing pad
Heavy Duty		
6130A	7"	Flexible backing pad



Dual Action Backing Pad for IR310 and IR311

Standard Duty		
310-825-6	6"	Firm pad for medium to heavy stock removal, cloth backed

311A-825-6	6"	Vinyl pad
------------	----	-----------

Heavy Duty

6120A	6"	Firm edge for firm support, cloth backed
6121A	6"	Soft edge for medium support, cloth backed
6122A	5"	Firm edge for firm support, cloth backed
6123A	5"	Soft edge for medium support, cloth backed

Dual Action Backing Pad for IR328

Standard Duty		
328-A825	8"	Pad assembly



Air Drills/Screwdriver

An air drill's chuck does most of the work. That's why all Ingersoll-Rand air drills are engineered with high quality chucks that resist wear and tear. The super duty air drills, the 3/8" IR7801, IR7801R, and the 1/2" IR7806, have industrial grade chucks and keyless chuck versions that are extra tough for drilling, sawing, valve guide reaming, cylinder honing, and wire brushing.

Air Drills/Screwdriver

The complete line includes 3/8" and 1/2" air drills. Two reversible drills in each size make it easy to back out tight screws. With free speeds of 2100 rpm, several 3/8" air drills make fast work of driving and removing screws.

The 1/2" air drills run at a free speed of 500-950 rpm to deliver the higher power you need for heavy drilling.

The IR7804R and new IR7807R models provide extra convenience with angle head configurations. All are compact and lightweight for easy handling. Their variable speed throttles make Ingersoll-Rand air drills easy to start holes and maintain control as you work.

In addition, we now also offer the IR371 screwdriver for a variety of soft-draw automotive applications.

Model Number	Performance Rating	Free Speed (rpm)	Chuck Size (mm)	Rated Power hp (kW)	Net Weight lbs. (kg)	Overall Length in. (mm)	Average Air Consumption cfm (l/min.)	@ Load cfm (l/min.)	Sound dBA (Pressure/Power)	Air Inlet in.	Min. Hose Size in. (mm)
IR371	Standard Duty	1,800	1/4 Hex	.44 (.33)	2.54 (1.15)	7.4 (188)	4 (113)	29 (825)	78/91	1/4	3/8 (10)
IR7801	Super Duty	2,100	3/8 (10)	.5 (.38)	2.7 (1.22)	7.4 (188)	4 (113)	29 (825)	77.8/90.8	1/4	3/8 (10)
IR7801KC	Super Duty	2,100	3/8 (10)	.5 (.38)	2.7 (1.22)	7.4 (188)	4 (113)	29 (825)	77.8/90.8	1/4	3/8 (10)
IR7802	Heavy Duty	2,500	3/8 (10)	.5 (.38)	2.4 (1.09)	7.8 (198)	4 (113)	20 (556)	90.1/103.1	1/4	3/8 (10)
IR7802R	Heavy Duty	2,000	3/8 (10)	.5 (.38)	2.5 (1.13)	6.4 (163)	4 (113)	26 (736)	92.8/105.8	1/4	3/8 (10)
IR7803	Heavy Duty	500	1/2 (13)	.5 (.38)	3.2 (1.45)	9 (229)	4 (113)	21 (595)	88.8/101.8	1/4	3/8 (10)
IR7803R	Heavy Duty	400	1/2 (13)	.5 (.38)	3.3 (1.50)	8.7 (221)	4 (113)	27 (764)	92.9/105.9	1/4	3/8 (10)
IR7804R	Super Duty	1,200	3/8 (10)	.5 (.38)	2.7 (1.22)	8.4 (213)	4 (113)	15 (425)	91.4/104.4	1/4	3/8 (10)
IR7806	Super Duty	950	1/2 (13)	.5 (.38)	3.2 (1.45)	8 (203)	5 (142)	22 (623)	80.2/93.2	1/4	3/8 (10)
IR7806KC	Super Duty	950	1/2 (13)	.5 (.38)	3.2 (1.45)	8 (203)	5 (142)	22 (623)	80.2/93.2	1/4	3/8 (10)
IR7807R	Standard Duty	1,800	3/8 (10)	.33 (.25)	2.47 (1.12)	8.1 (206)	4 (113)	17 (485)	89/102	1/4	3/8 (10)

Note: All Pistol Grip Drills are available with Jacob® Keyless Chucks.
When ordering this option, place "KC" at the end of the part number, ie: 7801KC.

IR371

Standard Duty

Pistol-Grip Reversible Screwdriver

One in a new family of economical standard duty tools, the IR371 is an excellent choice for soft-draw applications. This tool is well-suited for service work on HVAC systems, instrument panels, and trim components. It delivers reliable performance for driving of sheet metal, self tapping, and wood screws.

- Positive action clutch, for full torque throughout rundown.
- Convenient one-handed operation, with reverse control at trigger.
- Variable speed throttle for easy starts.
- Through-handle exhaust.
- Compact, lightweight and maneuverable.



IR7801

3/8" Super Duty

Air Drill

So powerful that it's the choice for industrial work as well as automotive, this is the high quality, long-lasting 3/8" drill for the demanding jobs. Its industrial grade chuck holds up longer to heavy drilling, hole sawing, valve guide reaming, and wire brushing.

- 1/2 hp air motor for high performance.
- Free speed up to 2,100 rpm.
- Variable speed throttle.
- Planetary gear reduction balances the load on bearings and gears to increase the tool's life.
- Handle exhaust directs air away from operator.



IR7801KC

3/8" Super Duty

Air Drill

Same specifications as the IR7801 model, but with keyless chuck for fast and easy bit changing.



IR7802

3/8" Heavy Duty

Air Drill

With its industrial grade 3/8" chuck, this economical choice includes high quality features for general drilling and hole sawing jobs. The planetary gear reduction balances the load on bearings and gears for increased tool life.

- Variable speed throttle.
- Lightweight, compact drill.
- Handles smoothly.



Model Number	Performance Rating	Free Speed (rpm)	Chuck Size in. (mm)	Rated Power hp (kW)	Net Weight lbs. (kg)	Overall Length in. (mm)	Average Air Consumption cfm (l/min.)	@ Load cfm (l/min.)	Sound dBA (Pressure/Power)	Air Inlet in.	Min. Hose Size in. (mm)
IR371	Standard Duty	1,800	1/4 Hex	.44 (.33)	2.54 (1.15)	7.4 (188)	4 (113)	29 (825)	78/91	1/4	3/8 (10)
IR7801	Super Duty	2,100	3/8 (10)	.5 (.38)	2.7 (1.22)	7.4 (188)	4 (113)	29 (825)	77.8/90.8	1/4	3/8 (10)
IR7801KC	Super Duty	2,100	3/8 (10)	.5 (.38)	2.7 (1.22)	7.4 (188)	4 (113)	29 (825)	77.8/90.8	1/4	3/8 (10)
IR7802	Heavy Duty	2,500	3/8 (10)	.5 (.38)	2.4 (1.09)	7.8 (198)	4 (113)	20 (556)	90.1/103.1	1/4	3/8 (10)

Air Drills/Screwdriver

IR7802R

3/8" Heavy Duty
Air Reversible Drill

Use this economical, high quality 3/8" drill for all your general purpose drilling, honing, reaming, and hole sawing. With its reversible 1/2 hp motor, you can also drive and remove screws, including backing out tight screws without a struggle.

- Reversible motor with a quick reverse lever.
- Variable speed throttle for starting holes easily.
- Handles smoothly, a lightweight, compact drill.



IR7803

1/2" Heavy Duty
Air Drill

Here's the economical choice for power, a high quality air drill designed for drilling, hole sawing, cylinder honing, and any other job that calls for a 1/2" size. It's quality features for long life, include the industrial grade 1/2" chuck, ball and needle bearing construction, and double reduction planetary gearing.

- No-load speed of 500 rpm.
- Auxiliary side handle.



IR7803R

1/2" Heavy Duty
Air Reversible Drill

A powerful choice for drilling, honing, reaming, and hole sawing, this drill has extra advantages. The reversible motor lets you drive and remove screws too. Even the tightest screws back out with ease under the force of the 1/2 hp motor.

- Quick reverse lever.
- Variable speed throttle.
- Heavy duty ball and needle bearing.
- More power and long tool life.
- Planetary gear reduction balances the load.



IR7804R

3/8" Super Duty
Air Angle Reversible Drill

This premium quality drill provides the convenience of an angle head for working in confined areas. Variable speed lever throttle adds precision for all applications.

- Rear exhaust keeps exhaust air away from the work area.
- Forward/reverse control locks in both positions.
- Plenty of power and torque, with 1/2 hp motor and 1,200 rpm free speed.



Model Number	Performance Rating	Free Speed (rpm)	Chuck Size in. (mm)	Rated Power hp (kW)	Net Weight lbs. (kg)	Overall Length in. (mm)	Average Air Consumption cfm (l/min.)	@ Load cfm (l/min.)	Sound dBA (Pressure/Power)	Air Inlet in.	Min. Hose Size in. (mm)
IR7802R	Heavy Duty	2,000	3/8 (10)	.5 (.38)	2.5 (1.13)	6.4 (163)	4 (113)	26 (736)	92.8/105.8	1/4	3/8 (10)
IR7803	Heavy Duty	500	1/2 (13)	.5 (.38)	3.2 (1.45)	9 (229)	4 (113)	21 (595)	88.8/101.8	1/4	3/8 (10)
IR7803R	Heavy Duty	400	1/2 (13)	.5 (.38)	3.3 (1.50)	8.7 (221)	4 (113)	27 (764)	92.9/105.9	1/4	3/8 (10)
IR7804R	Super Duty	1,200	3/8 (10)	.5 (.38)	2.7 (1.22)	8.4 (213)	4 (113)	15 (425)	91.4/104.4	1/4	3/8 (10)

IR7806

1/2" Super Duty

Air Drill

It's so much easier to work with plastics, composite materials, fiberglass, and metals when you have a 1/2" super duty IR7806. The high quality chuck is industrial-grade to do all the hard work of cylinder honing, drilling, and hole sawing.

- Double reduction planetary gearing.
- No load speed of 950 rpm.
- Variable speed throttle.
- Quiet drill with a built-in muffler.
- Handle exhaust directs air away from operator.



IR7806KC

1/2" Super Duty

Air Drill

Same specifications as the IR7806 model, but with keyless chuck for fast and easy bit changing.



IR7807R

3/8" Standard Duty

Air Angle Reversible Drill

One in a new family of economical, standard duty tools, the IR7807R is an excellent choice for service work requiring a compact, low profile angle head. It's a durable, reliable tool for drilling in all types of materials, including sheet metal, wood, and composites.

- Durable Jacobs multi-craft chuck.
- Reversible, with convenient control.
- Comfortable lever throttle.
- Grease plug for easy preventative maintenance.
- Precision machine gearing ensures maximum power transfer and durability.



Model Number	Performance Rating	Free Speed (rpm)	Chuck Size in. (mm)	Rated Power hp (kW)	Net Weight lbs. (kg)	Overall Length in. (mm)	Average Air Consumption cfm (l/min.)	@ Load cfm (l/min.)	Sound dBA (Pressure/Power)	Air Inlet in.	Min. Hose Size in. (mm)
IR7806	Super Duty	950	1/2 (13)	.5 (.38)	3.2 (1.45)	8 (203)	5 (142)	22 (623)	80.2/93.2	1/4	3/8 (10)
IR7806KC	Super Duty	950	1/2 (13)	.5 (.38)	3.2 (1.45)	8 (203)	5 (142)	22 (623)	80.2/93.2	1/4	3/8 (10)
IR7807R	Standard Duty	1,800	3/8 (10)	.33 (.25)	2.47 (1.12)	8.1 (206)	4 (113)	17 (485)	89/102	1/4	3/8 (10)

Accessories

Designed specifically to match your Ingersoll-Rand air drills and saws, these are high quality parts constructed for great strength and durability.

Replacement Chucks and Chuck Keys

Capacity	Cat. No. (boxed)	Thread	Chuck Key Cat. No.	Tool No.
3/8" (10 mm)	728-99-KC5	3/8"x24	(keyless)	7801, 7802, 7802R
3/8" (10 mm)	7801-99-6	3/8"x24	728N-253	7801
3/8" (10 mm)	7802-99	3/8"x24	R000B2J70-J253	7802, 7802R
1/2" (13 mm)	728-99-KC8		(keyless)	7806, 7803, 7803R
1/2" (13 mm)	7803-99	3/8"x24	7803-253	7803, 7803R
1/2" (13 mm)	7806-99-8	3/8"x24	728N-253	7806

Saw Blades

High speed, flexible, heat treated saw blades for use with IR 329.

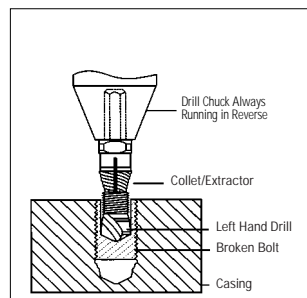
Cat. No.	Quantity	Description
329-F500	6	Fine 32 teeth/inch (red)
329-C500	6	Coarse 24 teeth/inch (gray)

Broken Bolt? The answer is...Drill-Out® Power Extractor



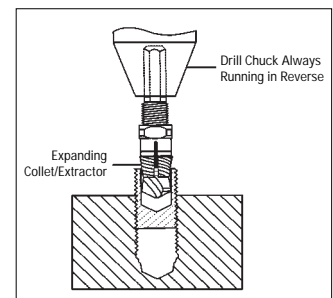
Ordering Information

Drill-Out Size	Part Number
1/4 (6 mm)	DO-1/4
5/16 (8 mm)	DO-5/16
3/8 (10 mm)	DO-3/8
1/2 (13 mm)	DO-1/2
4 piece kit	DO-4/C



Step 1: Drilling

Choose the correct size DRILL-OUT. Place the DRILL-OUT into a 3/8" reversible variable speed drill, thread the collet back to the chuck and drill on a centered hole to a depth just before extractor engagement (3/8" - 1/2").



Step 2: Extracting

Turn the collet five (5) turns from chuck. Bring the drill up to the recommended RPM speed and plunge the DRILL-OUT into the hole. The collet will engage the broken bolt and extract it.

Electric Impact Wrenches



When compressed air isn't available or convenient, you can get the power you need from Ingersoll-Rand electric impact wrenches.

Our line of super duty electric impact wrenches give you the same power as air impacts, with torque ratings up to 750 ft. lbs. to handle the tough jobs like tire changing, shock absorber work, exhaust system, and front end work. They're compact, lightweight, and have an all-aluminum die-cast construction. Each super duty model has a reversing design to give you full power in both directions with a twist of the back-cap instead of the trigger and the pin-type socket holder lets you change sockets faster.

If you're looking for an economical tool to use on occasional repair jobs, our standard duty IR8005 is the only 3/8" electric impact wrench in the automotive market. It's great for motorcycle service, small engine work, and even lawn mower or appliance repair.

Electric Impact Wrenches

All Ingersoll-Rand electric impact wrenches meet Underwriters Laboratories' strict standards. They operate on a 120 volt AC or DC current. Their quality construction will give you full power for installing and removing nuts and bolts for years of problem-free performance.

Model Number	Performance Rating	Square Drive in.	Torque Range ft.-lb. (Nm)	Max. Torque ft.-lb. (Nm)	Blows per Minute	Free Speed (rpm)	Standard Bolt Capacity in. (mm)	Net Weight lbs. (kg)	Overall Length in. (mm)	Amps	Volts
IR8005	Heavy Duty	3/8	5-50 (7-68)	85 (116)	2,200	2,000	3/8 (10)	4.5 (2.02)	10.1 (257)	3.0	120 AC
IR8049	Heavy Duty	1/2	30-180 (40-245)	290 (394)	2,000	1,900	1/16 (14)	6.8 (3.03)	11.7 (297)	5.0	120 AC
IR8053	Super Duty	1/2	50-225 (68-306)	330 (449)	1,900	1,900	1/16 (14)	7 (3.15)	10.3 (260)	5.0	120 AC/DC
IR8055	Super Duty	3/4	100-375 (136-500)	500 (680)	1,725	1,700	3/4 (19)	10 (4.5)	11.9 (302)	7.5	120 AC/DC
IR8056	Super Duty	1	300-600 (408-816)	750 (1020)	900	800	1 1/4 (32)	32.5 (14.63)	14.1 (359)	10.0	120 AC/DC
IR8062	Super Duty	5/8*	100-375 (136-500)	500 (680)	1,725	1,700	3/4 (19)	10 (4.5)	11.9 (302)	7.5	120 AC/DC

*hex quick change chuck

IR8005 3/8" Heavy Duty Electric Impact Wrench

Here's the only 3/8" electric wrench available in the automotive market. This tool can be used for motorcycle work, lawn mower repair, appliance repair, and small engine work. It can also be used for drilling with a keyless impact drill chuck.

- Operates fast, with a convenient reversing switch above trigger.
- Powerful, up to 85 ft.-lbs. of torque.
- A small, compact design.
- Double insulated for safe operation.



IR8049 1/2" Heavy Duty Electric Impact Wrench

Our most popular 1/2" electric impact wrench, it delivers maximum torque of 290 ft.-lbs. The unique reversing mechanism gives you full power in forward and reverse, making it an excellent choice for tire changing, shock absorber replacement, and exhaust system work.

- Up to 290 ft.-lbs. torque.
- Durable, made with ball and sleeve bearing construction.
- Aluminum hammer case and separator protects the hammer mechanism.
- Back-cap reverse switch allows full power in both directions.



Model Number	Performance Rating	Square Drive in.	Torque Range ft.-lb. (Nm)	Max. Torque ft.-lb. (Nm)	Blows per Minute	Free Speed (rpm)	Standard Bolt Capacity in. (mm)	Net Weight lbs. (kg)	Overall Length in. (mm)	Amps	Volts
IR8005	Heavy Duty	3/8	5-50 (7-68)	85 (116)	2,200	2,000	3/8 (10)	4.5 (2.02)	10.1 (257)	3.0	120 AC
IR8049	Heavy Duty	1/2	30-180 (40-245)	290 (394)	2,000	1,900	1/16 (14)	6.8 (3.03)	11.7 (297)	5.0	120 AC

IR8053

1/2" Super Duty Electric Impact Wrench

When you want the power of an air impact wrench but compressed air isn't available, get the next best thing: the IR8053. This is the most powerful 1/2" super duty electric impact wrench you can buy. With it, you can tackle tire changing, shock absorber work, exhaust system and front end work, as well as construction and farm maintenance work.

- Up to 330 ft.-lbs. torque.
- Easy to handle, short, compact design.
- Maximum durability, with an all-aluminum, full ball bearing construction.
- Back cap reversal for full power in forward or reverse.
- Pin-type socket retainer for quick socket changes.



IR8055

3/4" Super Duty Electric Impact Wrench

For those extra heavy bolting jobs, the IR8055 delivers up to 500 ft.-lbs. torque. It's the super duty 3/4" wrench for automotive service, light truck, and general farm maintenance work.

- Up to 500 ft.-lbs. of torque.
- Lightweight and durable.
- Aluminum and all ball bearing construction for longer life.
- Back-cap reversal makes it easy to go full power in forward and reverse.



IR8056

1" Super Duty Electric Impact Wrench

Absolutely the most powerful electric impact wrench available in the automotive market, the professionals use this tool for changing truck tires, maintaining and repairing off-road and farm equipment.

- Up to 750 ft.-lbs. torque.
- Handles bolt sizes up to 1-1/4".
- Extra heavy duty ball bearing construction.
- Full power in reverse and forward positions.



IR8062

5/8" Super Duty Electric Impact Wrench

With all the power and high quality features of the IR8055, this wrench has a 5/8" hex chuck that's machined hard for extra heavy bolting jobs.

- Quick change 5/8" hex chuck.



Model Number	Performance Rating	Square Drive in.	Torque Range ft.-lb. (Nm)	Max. Torque ft.-lb. (Nm)	Blows per Minute	Free Speed (rpm)	Standard Bolt Capacity in. (mm)	Net Weight lbs. (kg)	Overall Length in. (mm)	Amps	Volts
IR8053	Super Duty	1/2	50-225 (68-306)	330 (449)	1,900	1,900	9/16 (14)	7 (3.15)	10.3 (260)	5.0	120 AC/DC
IR8055	Super Duty	3/4	100-375 (136-500)	500 (680)	1,725	1,700	3/4 (19)	10 (4.5)	11.9 (302)	7.5	120 AC/DC
IR8056	Super Duty	1	300-600 (408-816)	750 (1020)	900	800	1 1/4 (32)	32.5 (14.63)	14.1 (359)	10.0	120 AC/DC
IR8062	Super Duty	5/8*	100-375 (136-500)	500 (680)	1,725	1,700	3/4 (19)	10 (4.5)	11.9 (302)	7.5	120 AC/DC

*hex quick change chuck

It All Starts with an Ingersoll-Rand Air Compressor

Ingersoll-Rand is the world leader for air compressors and compressed air systems. For more than 65 years, millions of reciprocating and rotary compressors have been working around the world with outstanding reliability. You'll find them in auto repair and fleet maintenance shops and in commercial business of all kinds.

With you every step of the way.

Whatever your situation, Ingersoll-Rand wants to be your full-service partner. No job is too small.

We'll go the extra mile.

Our goal is to get you up and running quickly and to keep you operating at peak performance.

Because your compressor is critical to your productivity and profitability, we keep a large inventory of original parts available for delivery when you need them, and a staff of factory-trained service technicians at key locations.

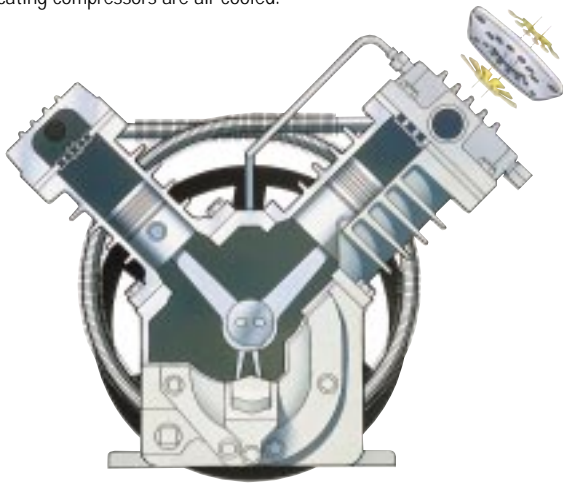


Reciprocating and Rotary Compressors. What's the Difference?

It's important to understand that one type of compressor in itself is not better than another one. Your application and requirements will dictate which is best for you.

Reciprocating Compressors

Reciprocating compressors use the stroke of a piston to compress air and are generally classified into two categories – single and two-stage. A single stage produces a discharge pressure of 125 psi – a two-stage, 175 psi. Typically reciprocating compressors are air-cooled.



Model 2545

It's one of those days. Every job is a rush and you're behind schedule. Those are the days you'll be glad you've got a 10 hp Model 2545 supplying your compressed air. With its 35 cfm at 175 psi capacity, you've got the volume and pressure to run a whole shop of hoists, sprayers, grinders, wrenches and other high-powered tools. Ruggedly constructed of 100% cast iron with low maintenance requirements, the 2545 will supply all the air you need to get the job done.

Model	Motor	Receiver	CFM	PSI	Dimensions	Weight
2545E 10FP	10 HP	120G (Hor.)	35	175	72" x 29" x 52"	835 lbs.

Model 2475

In today's competitive service business, the Ingersoll-Rand 5 hp or 7.5 hp compressor is the workhorse you need to be productive and profitable. With its low maintenance requirements, rugged construction and strong 100% cast-iron components, you can count on your 2475 to keep on going, all day, every day. It's perfect for a shop with up to three working mechanics.



Model	Motor	Receiver	CFM	PSI	Dimensions	Weight
2475N5FP	5 HP	80G (Vert.)	16.8	175	37" x 28" x 70"	500 lbs.
2475N7.5N FP	7.5 HP	80G (Vert.)	24	175	37" x 28" x 70"	510 lbs.

Model 7100

In larger shops, the requirements for compressed air are simple: High volume, high pressure, all the time, every day, no interruptions. Ingersoll-Rand's Model 7100 air compressor easily meets those demands. The 7100 can deliver 50 cfm at 175 psi. It has extra-heavy-duty components such as constant speed control and low oil level switch. Like all Ingersoll-Rand compressors, it is designed for minimum maintenance and maximum performance.

Model	Motor	Receiver	CFM	PSI	Dimensions	Weight
7100	15 HP	120G (Hor.)	50	175	72" x 29" x 52"	1135 lbs.

To address questions or place an order,
Call 1 800-AIR-SERV.

Rotary Compressors

Rotary compressors use two intermeshing rotors to compress air. As the rotors turn, their configuration compresses the trapped air. This simple process lowers operating temperatures by approximately 50% when compared to a reciprocating compressor, increases efficiency and delivers a clean air supply. A rotary compressor uses a coolant to cool its internal components. This allows the compressor to operate at a fully loaded, continuous duty cycle.



Model EP7.5

The Model EP7.5, EP10 and EP15 rotary compressors are designed to provide pulsation-free air 24 hours a day operating on a 100% duty cycle. Their rugged, durable airends use tapered roller bearings for extended airend life. The EP series operates at a low sound level, 85dBA unenclosed and 75dBA enclosed, meeting or exceeding OSHA requirements. The series is designed for ambient temperatures up to 115 degrees F and feature electro-mechanical controls. The compressors are factory-filled with Ingersoll-Rand Ultra Coolant®, a lubricant that requires changing only after 8,000 hours or two years. Its improved cooling characteristics reduce operating temperatures extending the life of the compressor. Engineered for easy installation, the EP series is fully assembled and factory tested.

Model	Motor	Receiver	CFM	PSI	Dimensions	Weight
EP7.5	7.5 HP	80G (Hor.)	27	125	82" x40" x70"	950 lbs.
EP10	10 HP	80G (Hor.)	35	125	82" x40" x70"	960 lbs.
EP15	15 HP	806G (Hor.)	53	125	82" x40" x70"	1070 lbs

Making Your System Complete

In addition to adequate flow at sufficient pressure, the quality of the compressed air must be considered. After you've determined the right compressor, you can add a high-quality Ingersoll-Rand dryer, filter, drain valve, regulator and even our patented piping system – all engineered to deliver the quality of air you need to meet your requirements.

Refrigerated dryer

A refrigerated dryer cools compressed air and mechanically removes liquid waste. The refrigerated dryer provides the most reliable design with the lowest initial cost. Installation is simple and maintenance is almost non-existent.

Drain valve

Installed on dryers, filters and drop legs, drain valves remove liquids from the various compressed air system components.

Filters

Filtering out solids and liquids is the best defense against contaminants in your compressed air. Dust, dirt, lubricating oil and water can all carry over into the delivered air supply. These contaminants can combine to form a sludge that clogs instrumentation and tools. Filters are one of your best investments.

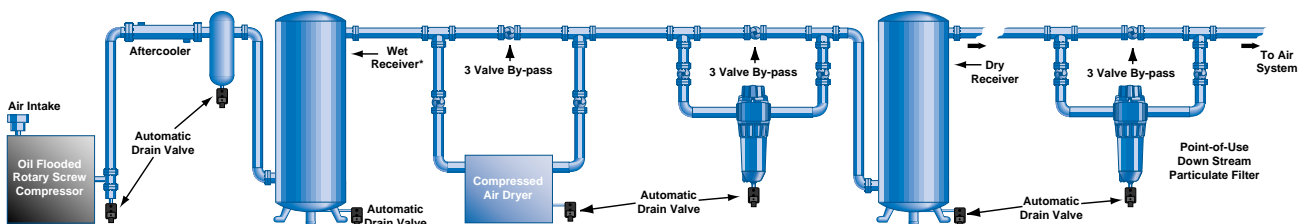
Receiver tank

Your receiver tank reduces pulsation in the air supply. It cools the air and allows water vapor to condense into a liquid for draining. It also provides a reserve air supply during peak demand periods.

Piping system

High performance Ingersoll-Rand Simplair® modular, aluminum piping is easy to install and simple to extend or modify. The extruded aluminum provides structural strength and delivers contaminate-free air in a leak-free piping system.

Typical compressed air system



Selecting the Right Compressor

Here are some handy questions to guide your selection.

Determine the answers and use them when you talk to your compressor supplier.

Ask yourself, "What kind of work do I use compressed air for?" Different businesses can have sharply different requirements for compressed air.

Secondly, you'll want to determine where your compressor will be located. Will you be able to use a horizontal tank or will it have to be a vertical model? Will the compressor be in a stationary location or installed on a service vehicle? What kind of power will it require?

How often will the compressor run? During a typical workday, how many hours will it be operated? Are your demands relatively constant or do they vary widely?

Finally, you'll want to determine the right size compressor you need. There are a couple of ways to find the answer – using a general "rule of thumb," or sizing by your specific cfm and psi requirements.

For answers to other air compressor installation, service and technical questions, call

**1 800-AIR-SERV
(247-7378)**

Here's the "rule of thumb" method:

Reciprocating Compressor

Number of Mechanics*	Model Number	Horse-power	Receiver Size (Gal.)	Configuration	Flow Rate (ACFM)	Pressure Rating
2	2475N5FP	5	80	Vertical	16.8 @	175
3	2475N7.5FP	7.5	80	Vertical	24 @	175
4	2545E10FP	10	120	Horizontal	35 @	175
6	7100E15FP	15	120	Horizontal	50 @	175

* Assumes 2.5 hp per mechanic

Rotary Compressor

Number of Mechanics*	Model Number	Horse-power	Receiver Size (Gal.)	Configuration	Flow Rate (ACFM)	Pressure Rating
3	EP7.5	7.5	80	Horizontal	27 @	125
4	EP10	10	120	Horizontal	35 @	125
6	EP15	15	120	Horizontal	53 @	125

* Assumes 2.5 hp per mechanic

And to size more exactly, the cfm and psi requirements method:

1. Add up the total requirements for all air-powered tools and equipment the compressor will be required to power – cubic feet of air and operating pressure. Using a chart similar to the one below, enter the total cfm requirements on line A, and the psi requirement on line B. *Note that the compressor's minimum discharge pressure must exceed the pressure requirement of the highest pressure rated tool.*
2. To cover air leaks and future demand, add 10% additional cfm.
 - Multiply line A by line C.
 - Enter the adjusted cfm on line D.

Use the cfm on line D and the psi on line B to specify a rotary compressor.
3. When specifying a reciprocating compressor, multiply line D by a service factor of 15%. This ensures proper cooling and extends maintenance intervals when operating your compressor six to eight hours a day.
 - Enter the adjusted cfm on line E.

Use the cfm on line E and the psi on line B to specify a reciprocating compressor.

Example:

Your shop uses the following tools on a regular basis:

Quantity	Tool	Avg. Air Used/Tool	Total Air Required
4	Mod. 231 Impacts	4.2 CFM @ 90 psi	16.8 cfm
1	Mod. 2131 Impact	4.8 CFM @ 90 psi	4.8 cfm
1	Mod. 107 Ratchet	4.0 CFM @ 90 psi	4.0 cfm
1	Mod. 311 Sander	4.0 CFM @ 90 psi	4.0 cfm
2	Mod. 7802 Drills	4.0 CFM @ 90 psi	8.0 cfm
Total			37.6 cfm

Chart:

37.6 total cfm (line A) @ 90 psi (line B)
 x 1.10 air leaks and future demand (line C)

 41.4 cfm (line D)
 x 1.15 service factor (reciprocating)

 47.6 cfm (line E)

Recommended rotary compressor:
 EP15-TM (53 cfm @ 125 psi)

Recommended reciprocating compressor:
 7100E15FP (50 cfm @ 175 psi)

Accessories

Ingersoll-Rand offers you an extensive line of accessories to match your Ingersoll-Rand tools with the requirements of every job. These accessories put the reliability and quality of Ingersoll-Rand behind every job you do.



Lubricating your tools regularly is the single most important way you can protect them and prolong their working life. Ingersoll-Rand's air tool lubricant contains rust inhibitors to prevent corrosion. Unlike engine oil or transmission fluid, our oils and greases are specially formulated to collect moisture and keep the tool's working parts operating smoothly and efficiently.

Our regulators will maintain your tool's critical speed and conserve compressed air. Our filters keep wet air and dirt out of the air line, including particles as small as five microns. So there's less tool maintenance and fewer operating problems. If you want to tune up your tool yourself, you can save money by using one of our Tune-Up Kits for the air motor, hammer mechanism, and ratchet head. The kit costs less than the individual parts.

Ingersoll-Rand protective boots will protect your air impact wrenches from external damage. They also absorb some of the vibration as you work. Or you can improve the fit and feel by putting one of our Comfort Grips on the handle of your air impact tools.

You can move around freely as you work by adding our unique Swivel-It™ swivel inlet to your air tool to keep your air hose out of your way. You can get couplers, nylon recoil hoses, hose whips and balancers to match your Ingersoll-Rand tool. It's easy to select what you need, using the air hose diameter on the tool specification and air system accessory charts.

Tune-Up Kits

You can use our popular kits to keep your air impact tools performing at top power. Save money, too – the kit costs less than the individual parts.



Hammer Mechanism Tune-Up Kits

Contains the anvil, hammers (or pins) and gaskets for the impact mechanism. The 110-THK1 includes only the cam ball, two anvil pins, and anvil spring.

Tool No.	Kit No.
222	222-THK1
223	223-THK1
231, 244	231-THK1
231-2, 244-2	231-THK2
235	235-THK1
	255A-THK1
2131	2131-THK1
2131-2	2131-THK1-2

Motor Tune-Up Kits

Rev up your tool's motor using this kit which contains the vanes, gaskets and seals for a complete tune-up.

One kit, the 231-TK3, also includes ball bearings.

Tool No.	Kit No.
107, 111	107-TK1
211	211-TK2
212	212-TK2
221, 221-2	221-TK2
223	223-TK2
231, 231-2	231-TK2
231, 231-2	231-TK3*
235	235-TK2
244, 244-2	244-TK2
251	251-TK1
252	252-TK2
255A	255A-TK1
261, 271	261-TK2
280, 280-6	
280-S6	280-TK2
281, 281-6,	
281-S6, 291	281-TK1
285, 285-6	285-TK1
285-S6	

*includes bearings

Tool No.	Kit No.
295, 295-S	
290, 290-S	290-TK2
7801, 7806	728-TK3
2131, 2131-2	2131-TK2

Ratchet Head Kits

Rebuild your air ratchet's head using this complete kit.

Tool No.	Kit No.
104	104-TK1
106, 107	107-TK1
109	109-TK1
111	111-TRK1

Valve Block Assembly Kit

Tool No.	Kit No.
222, 223	223-TVB1



Accessories

Protective Tool Boots

Keep your Ingersoll-Rand air impact ratchets, wrenches, and drills free from external damage with protective boots. As you work, these boots also absorb some of the tool vibration, keeping you more comfortable, too.

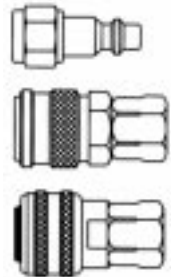
Tool No.	Boot No.	Material
104	104-P32	Vinyl
107,1077, 110	106-P32	Vinyl
212	202-P32	Vinyl
205	205-P32	Vinyl
207	207-P32	Vinyl
211	211-P32	Vinyl
231, 231-2	231-P32	Vinyl
2131, 2131-2	2131-P32	Vinyl
235	235-P32	Vinyl
244, 244-2	244-P32	Vinyl
252	252-P32	Vinyl
255A	255A-P32	Vinyl
2161	2161-P32	Vinyl
2171	2161-P32	Vinyl
285-6, 285-S6, 285	285-P32	Vinyl
295, 295-6	295-P32	Vinyl
7802, 7802R, 7803	7802-P32	Vinyl



Couplers

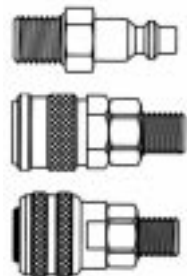
Female Thread

Basic Size	Pipe Thread	Plug Coupler	Manual Coupler	Automatic Coupler
1/4"	1/8"FPT	MSPF21	-	MSCF21
	1/4"FPT	MSPF22	-	MSCF22
	3/8"FPT	MSPF23	-	MSCF23
3/8"	1/4"FPT	MSPF32	400ATH	MSCF32
	3/8"FPT	MSPF33	420ATH	MSCF33
	1/2"FPT	45ATH	440ATH	-
1/2"	3/8"FPT	MSPF43	500ATH	MSCF43†
	1/2"FPT	MSPF44	520ATH	MSCF44
	3/4"FPT	MSPF46†	540ATH	-



Male Thread

Basic Size	Pipe Thread	Plug Coupler	Manual Coupler	Automatic Coupler
1/4"	1/8"MPT	MSPM21	-	-
	1/4"MPT	MSPM22	-	MSCM22
	3/8"MPT	MSPM23	-	MSCM23
3/8"	1/4"MPT	MSPM32	410ATH	4100ATH
	3/8"MPT	MSPM33	430ATH	MSCM33
	1/2"MPT	MSPM34	450ATH	4500ATH
1/2"	3/8"MPT	MSPM43	-	MSCM43†
	1/2"MPT	MSPM44	530ATH	MSCM44
	3/4"MPT	MSPM46	550ATH	MSCM46†



Swivel Inlets

Catalog Number	Thread Size (in.)	Air Flow Range (cfm/l/min.)
ASA-1/4*	1/4	Adjustable
ASC-1/4**	1/4	0-25
AS-3/8	3/8	0-45
AS-1/2	1/2	0-65

*Adjustable

**Non-marking composite

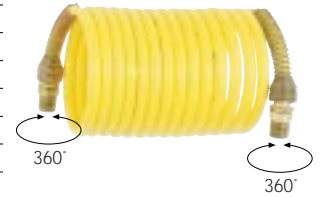


Recoil Hoses and Fittings

This is a permanently coiled hose which automatically returns to its original position, keeping it off the floor and out of your way as you work. Made with abrasive-resistant, memory-resilient Nylon II, it can be used for air and any gases, water, or liquids which are compatible with Nylon II. The hose is certified to a maximum pressure of 200 psi, and the hose ends and fittings are protected by a spring guard.

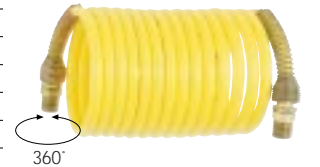
Swivel Both Ends

Cat. No.	Hose Inside Diameter	Max.	Hose Length		Compact Outside Coil Diameter	Male NPT Fitting
			Working Length	Compact Size		
N14-12B	1/4"	12'	10'	6"	3-1/2"	1/4"
N14-25B	1/4"	25'	22'	10-1/2"	3-1/2"	1/4"
N14-50B	1/4"	50'	45'	21"	3-1/2"	1/4"
N38-124B	3/8"	12'	10'	5"	5-5/8"	1/4"
N38-254B	3/8"	25'	21'	10-1/4"	5-5/8"	1/4"
N38-504B	3/8"	50'	44'	21"	5-5/8"	1/4"
N38-12B	3/8"	12'	10'	5"	5-5/8"	3/8"
N38-25B	3/8"	25'	21'	10-1/4"	5-5/8"	3/8"
N38-50B	3/8"	50'	44'	21"	5-5/8"	3/8"
N12-12B	1/2"	12'	9'	5"	9"	1/2"
N12-25B	1/2"	25'	18'	9"	9"	1/2"
N12-50B	1/2"	50'	41'	18"	9"	1/2"
N34-12B	3/4"	12'	10'	4-1/2"	12-1/2"	3/4"
N34-25B	3/4"	25'	17'	9"	12-1/2"	3/4"
N34-50B	3/4"	50'	35'	16"	12-1/2"	3/4"



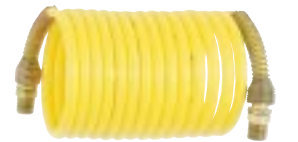
Swivel One End

Cat. No.	Hose Inside Diameter	Max.	Hose Length		Compact Outside Coil Diameter	Male NPT Fitting
			Working Length	Compact Size		
N14-12A	1/4"	12'	10'	6"	3-1/2"	-
N14-25A	1/4"	25'	22'	10-1/2"	3-1/2"	1/4"
N14-50A	1/4"	50'	45'	21"	3-1/2"	1/4"
N38-12A	3/8"	12'	10'	5"	5-5/8"	3/8"
N38-25A	3/8"	25'	21'	10-1/4"	5-5/8"	3/8"
N38-50A	3/8"	50'	44'	21"	5-5/8"	3/8"
N12-12A	1/2"	12'	9'	5"	9"	1/2"
N12-25A	1/2"	25'	18'	9"	9"	1/2"
N12-50A	1/2"	50'	41'	18"	9"	1/2"



Rigid Couplings Both Ends

Cat. No.	Hose Inside Diameter	Max.	Hose Length		Compact Outside Coil Diameter	Male NPT Fitting
			Working Length	Compact Size		
N14-12	1/4"	12'	10'	6"	3-1/2"	1/4"
N14-25	1/4"	25'	22'	10-1/2"	3-1/2"	1/4"
N14-50	1/4"	50'	45'	21"	3-1/2"	1/4"
N38-12	3/8"	12'	10'	5"	5-5/8"	3/8"
N38-25	3/8"	25'	21'	10-1/4"	5-5/8"	3/8"
N38-50	3/8"	50'	44'	21"	5-5/8"	3/8"
N12-12	1/2"	12'	9'	5"	9"	1/2"
N12-25	1/2"	25'	18'	9"	9"	1/2"
N12-50	1/2"	50'	41'	18"	9"	1/2"

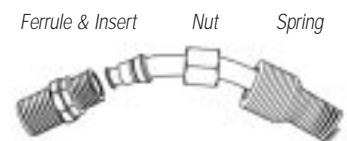


Bulk Hose

Cat. No.	Hose Inside Diameter	Max.	Hose Length		Compact Outside Coil Diameter	Male NPT Fitting
			Working Length	Compact Size		
N14-100	1/4"	100'	90'	45"	3-1/2"	-
N38-100	3/8"	100'	85'	38"	5-5/8"	-
N12-100	1/2"	100'	75'	35"	9"	-
N34-100	3/4"	100'	70'	29"	12-1/2"	-

Fitting For Nylon Recoil Hose*

Fitting Kit Cat. No.	Hose Inside Diameter	Male NPT Fitting
Rigid RK090	1/4"	1/4"
- RK114	3/8"	1/4"
RK110	3/8"	3/8"
RK118	1/2"	1/2"
- CSM1212	3/4"	3/4"



*Complete end comprising 5 items. Order two fittings per hose.

Accessories

Lubricants

Oils

Catalog Number	Quantity	Recommended Use
10Z4	4 oz.	
10P	Pint	All Automotive Air Tools
10G	Gallon	
10GW	Gallon	Winter Grade



Greases

Catalog Number	Grease Number	Quantity (lbs./kg)	Recommended Use
28 1 LB	28	1	Drills and Ratchet Wrenches
28 8 LB	28	8	Drills and Ratchet Wrenches
67 1 LB	67	1	Angle Grinders, Angle Sanders, Angle Polishers
67 8 LB	67	8	Angle Grinders, Angle Sanders, Angle Polishers
100 1 LB	100	1	Impact Wrench Mechanisms
100 8 LB	100	8	Impact Wrench Mechanisms
115 1 LB	115	1	2131 Impact Wrench Only
105-4-T		4 oz. tube	Impact Wrench Mechanisms of most Impact Tools and for assembly of 2131 Impact models
115-4-T		4 oz. tube	For general maintenance on 2131 Impact Tool Mechanisms

Impact Tool Lubrication Kits

Catalog No.	Contains
67-LBK1	4oz. IR67 grease 4oz. IR10 oil GTH-1 grease tube gun
105-LBK1	4oz. IR105 grease 4oz. IR10 oil GTH-1 grease tube gun
115-LBK1	4oz. IR115 grease 4oz. IR10 oil GTH-1 grease tube gun



Metal Grease Gun

Catalog No.	Capacity	Recommended Use
R000A2-228	3oz.	For flush type fittings
GTH-1		For grease tubes



Blow Guns

- Designed to meet OSHA standards.
- Available in standard, 6" and 12" lengths.
- Cushioned thumb grip.

600 Series

Multiple venturi holes maximize air volume while conforming to OSHA's requirements on compressed air. Used for cleaning.

600 Series

Part No.	Description
600-S	Standard Safety Blow Gun
600-SB	Booster Safety Blow Gun
606-S	Safety Blow Gun w/6" Extension
612-S	Safety Blow Gun w/12" Extension

8338 Series

Part No.	Description
8338-1	Safety Blow Gun with Cone of Air
8338-2	Safety Blow Gun with Rubber Tip
33970	10" Extension Tip for 8338 Series

8440 Series

Part No.	Description
8440	Safety Yellow, Lightweight, Polyester Blow Gun

Safety Extensions - Used on 600 Series

Part No.	Description
ST206	6" Safety Extension
ST212	12" Safety Extension

Blow Gun Tips - Used on 600 Series

Part No.	Description
ST10	Standard Safety Tip
ST11	Safety Air Booster Tip

1/4" NPT - Maximum Tip Pressure 30 psig per OSHA Requirement



ST206



ST212



ST11



ST10



600-S



600-SB



616-S

606-S



8338-1



8338-2



8440

Accessories

Filters, Regulators, Lubricators

Your Ingersoll-Rand air tools will last longer with fewer problems or repair costs when you use the high quality filters, regulators, and lubricators specially made to match your tool.

Filter

Change your tool's filter when the pressure drop exceeds 10 psig or every 12 months. You'll increase your tool's life and productivity – and save on maintenance costs, too.

- Removes 99 percent of all dirt particles five microns or larger.
- Rated to 150 psig (200 psig optional).
- Quick Release, bowl guard standard, for easy maintenance (metal bowl optional).



Regulator

Designed to maintain the pressure you need over changing cfm air flow demands, the regulator offers precise control over outlet pressure. It maintains relative torque settings, critical speed control of the tool, and conserves compressed air.

- Reinforced diaphragm.
- Rated to 300 psig.
- Two additional regulated 1/4" NPT ports.
- Includes gauge.



Lubricator

Ideally suited to use with Ingersoll-Rand specially formulated lubricants, the lubricator will maintain your tool's top performance far longer. It is designed to maintain constant oil-to-air ratio, despite changes in air flow. It's easy to fill and maintain, and will reduce your overall tool maintenance costs when used regularly.

- Bowl guard standard, a quick release bowl for easy maintenance (metal bowl optional).
- Can be filled under pressure.
- Precision needle valve oil feed metering.
- Rated to 150 psig (200 psig optional).



Combination Units with Gauge

Size

Female NPT (in.)	Filter-Regulator-Lubricator
1/4	C18-02-FKG0-28
3/8	C18-03-FKG0-28
1/2	C28-04-FKG0-28
3/4	C31-06-G00
1	C31-08-G00



Individual Units

1/8" Female NPT Miniature

Specifications	Filter	Regulator	Lubricator
Cat. Number	F08-01-SK00-28	R08-01-FOGO-28	L08-01-LK00-28
Flow Rate	25 SCFM	28.7 SCFM	23.5 SCFM
Adj. Pres. Range	N/A	5-125 psig	N/A
Bowl Capacity	.4 oz.	N/A	.6 oz.
Height (in.)	4.58	3.94	6.58
Width (in.)	1.58	1.58	1.58

1/4" Female NPT Miniature

Specifications	Filter	Regulator	Lubricator
Cat. Number	F08-02-SK00-28	R08-02-FOGO-28	L08-02-LK00-28
Flow Rate	50 SCFM	40 SCFM	57.5 SCFM
Adj. Pres. Range	N/A	5-125 psig	N/A
Bowl Capacity	.4 oz.	N/A	.6 oz.
Height (in.)	4.58	3.94	6.58
Width (in.)	1.58	1.58	1.58

1/4" Female NPT

Specifications	Filter	Regulator	Lubricator
Cat. Number	F18-02-SK00-28	R18-02-FOGO-28	L18-02-LK00-28
Flow Rate	100 SCFM	80 SCFM	88 SCFM
Adj. Pres. Range	N/A	5-125 psig	N/A
Bowl Capacity	1.72 oz.	N/A	4.9 oz.
Height (in.)	7.4	5.4	8.35
Width (in.)	2.36	2.36	2.36

3/8" Female NPT

Specifications	Filter	Regulator	Lubricator
Cat. Number	F18-03-SK00-28	R18-03-FOGO-28	L18-03-LK00-28
Flow Rate	105 SCFM	92 SCFM	90 SCFM
Adj. Pres. Range	N/A	5-125 psig	N/A
Bowl Capacity	1.72oz.	N/A	4.29oz.
Height (in.)	7.4	5.4	8.35
Width (in.)	2.36	2.36	2.36

1/2" Female NPT

Specifications	Filter	Regulator	Lubricator
Cat. Number	F28-04-SK00-28	R28-04-FOGO-28	L28-04-LK00-28
Flow Rate	152 SCFM	135 SCFM	184 SCFM
Adj. Pres. Range	N/A	5-125 psig	N/A
Bowl Capacity	2.87oz.	N/A	6.11oz.
Height (in.)	8.4	5.9	9.36
Width (in.)	2.9	2.9	2.39

3/4" Female NPT

Specifications	Filter	Regulator	Lubricator
Cat. Number	F28-06-SK00-28	R28-06-FOGO-28	L28-06-LK00-28
Flow Rate	168 SCFM	125 SCFM	200 SCFM
Adj. Pres. Range	N/A	5-125 psig	N/A
Bowl Capacity	2.87oz.	N/A	6.11oz.
Height (in.)	8.4	5.9	9.36
Width (in.)	2.9	2.9	2.39

1" Female NPT (metal bowls)

Specifications	Filter	Regulator	Lubricator
Cat. Number	F38-08-SK00-28	R38-08-FOGO-28	L38-08-LK00-28
Flow Rate	325 SCFM	491 SCFM	440 SCFM
Adj. Pres. Range	N/A	10-125 psig	N/A
Bowl Capacity	8oz.	N/A	19oz.
Height (in.)	11.46	7.83	10.67
Width (in.)	3.94	3.94	3.94

Combination Over/Under Filters-Regulators

1/8" Female NPT Miniature

Specifications	1/8" Female NPT Filter Regulator	1/4" Female NPT Filter Regulator
Cat. Number	B08-01-FKGO-28	B08-02-FKGO-28
Flow Rate	28.6 SCFM	42.1 SCFM
Adj. Pres. Range	5-125 psig	5-125 psig
Bowl Capacity	.4 oz.	.4 oz.
Height (in.)	6.46	6.46
Width (in.)	1.58	1.58



Inline Series Filters-Regulators

1/4" Female NPT

Specifications	Filter	Lubricator
Cat. Number	F01-02-000	L01-02-000
Flow Rate	17 SCFM	22 SCFM
Bowl Capacity	N/A	.25 oz.
Height (in.)	2.5	3
Width (in.)	1	1-1/8 Hex

1/4" Female NPT

Specifications	Filter	Lubricator
Cat. Number	N/A	L01-03-000
Flow Rate	N/A	22 SCFM
Bowl Capacity	N/A	.25 oz.
Height (in.)	N/A	3
Width (in.)	N/A	1-1/8 Hex

Liquidator™ Filters/Dryers

All feature...

- Centrifugal spinning
- Stainless steel media
- Friction drying and filtered air to one micron
- Inverse flow
- Automatic drain

Inlet Size	Part No.	Description	SCFM
1/2" NPT	TS-4000	Liquidator Tool Saver	60
1/2" NPT	EAD-6000	Liquidator Prep Station Air Drier	60
1/2" NPT	PDS-2000	Liquidator Paint Booth Desiccant Drier System	25

Replacement Elements

Used On	Stage	Part No.	Package Qty.
EAD-6000	1st Stage	8844-060	Each
EAD-6000	2nd Stage	8844-060C	Each
PDS-2000	1st Stage	8844-460	Each
PDS-2000	2nd Stage	8844-DES	Each
PDS-2000	2nd Stage	8844-DES-6	Six
TS-4000	1st & 2nd	8844-060	Each



TS-4000 Liquidator Tool Saver



EAD-6000 Liquidator Prep Station Air Drier



PDS-2000 Liquidator Paint Booth Desiccant Drier System

Pullers and Hoists

P-Series Pullers

They'll pull up to 2,000 lbs. with no problem – and no hard work for you, either. Extremely strong and well-made, the Ingersoll-Rand P-Series are high quality, dependable wire rope pullers for low- and medium-duty pulling and lifting jobs.

- Made for superior strength, with a steel frame and handle, alloy steel load hook, one-piece cast aluminum drum, and solid steel drive and holding dog.
- 4:1 design factor for lifting or pulling.
- Long-lasting gears through IR's extra heavy "Buttress Tooth" design.

I-R Number	No. of Lines	Rated Capacity	Min. Dist. Bet. Hooks 'A' Dimen. (in.)	Lifting Dist. (ft.)	Cable Dia. (in.)	No. of Hooks	Net wt. (lbs.)
P6HA	Single	1,000	18	6	3/16	2	8
P15HA	Single	1,000	18	15	3/16	2	8
P15D3HA	Single	1,000	18	15	3/16	3	10
	Double	2,000	24	7 1/2	3/16	3	10

C-Series Pullers

The C-Series includes rugged cast aluminum wire rope pullers designed to store more wire rope than all-steel ratchet pullers. Rigged double line, they handle those long reach pulling or lifting jobs up to 3,400 lbs. with no problem.

- Extremely strong, with a solid cast steel drive and holding dog.
- Heavy duty cast aluminum drum and lightweight aluminum frame. The load hook is alloy steel with safety latches.

"One notch at a time" lowering is assured by the ratchet and pawl system. The gear teeth are IR's "Buttress Tooth" design for additional strength and longer gear life.

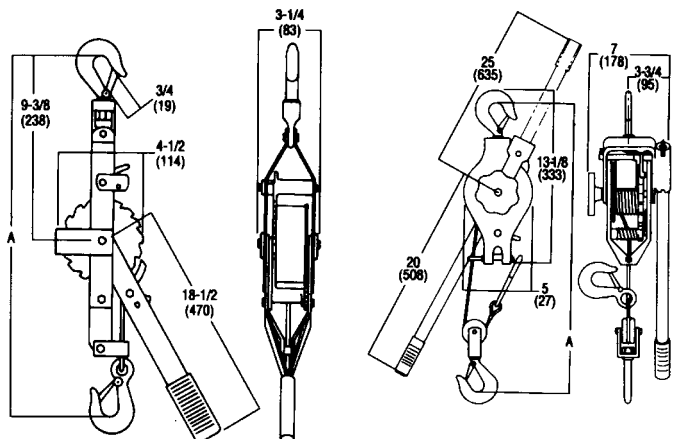
I-R Number	No. of Lines	Rated Capacity	Min. Dist. Bet. Hooks 'A' Dimen. (in.)	Lifting Dist. (ft.)	Cable Dia. (in.)	No. of Hooks	Net wt. (lbs.)
C225HA	Single	1,000	17	38	3/16	3	14
	Double	2,000	22	19	3/16	3	14
C300HA	Single	1,400	17	30	7/32	3	15
	Double	2,800	22	15	7/32	3	15
C400HA	Single	1,700	17	20	1/4	3	16
	Double	3,400	22	10	1/4	3	16

PT-8-Trolley Series Plain 1/2 to 5 Metric Ton

A plain trolley rated for both manual or powered hoists, with the versatility to fit most types of beams...with options and prices you won't believe.

Standard features:

- The 5:1 design factor allows the PT Series to be used with both manual or powered hoists. Meets pertinent U.S. (ASME/ANSI and CMAA) Canadian and European standards.
- The side plates, including the rail sweeps/drop stops, are made of cold formed steel for strength, durability and even load distribution.
- The wheel axles are "rivet-locked" in place so they won't come loose. They are NOT knurled, welded or modified bolts.
- The wheels are cast iron. The "universal" tread fits either flat or tapered beams.
- Wheels run on sealed, "lubed-for-life" ball bearings. Smoother rolling with less effort and...less maintenance.
- Wide hanger shaft assemblies allow the PT Series trolley to fit almost any I-Beam, H-Beam or patented track beam up to 8.06 in./205mm width.
- PT Series trolley hanger shafts are designed to accept all hoist brands. The hanger shaft has a "squared out" recess to accept round or squared hook shapes. The trolleys are painted black for universal coordination.
- PT Series trolleys are made in the U.S.A.



PT Trolley Dimensions

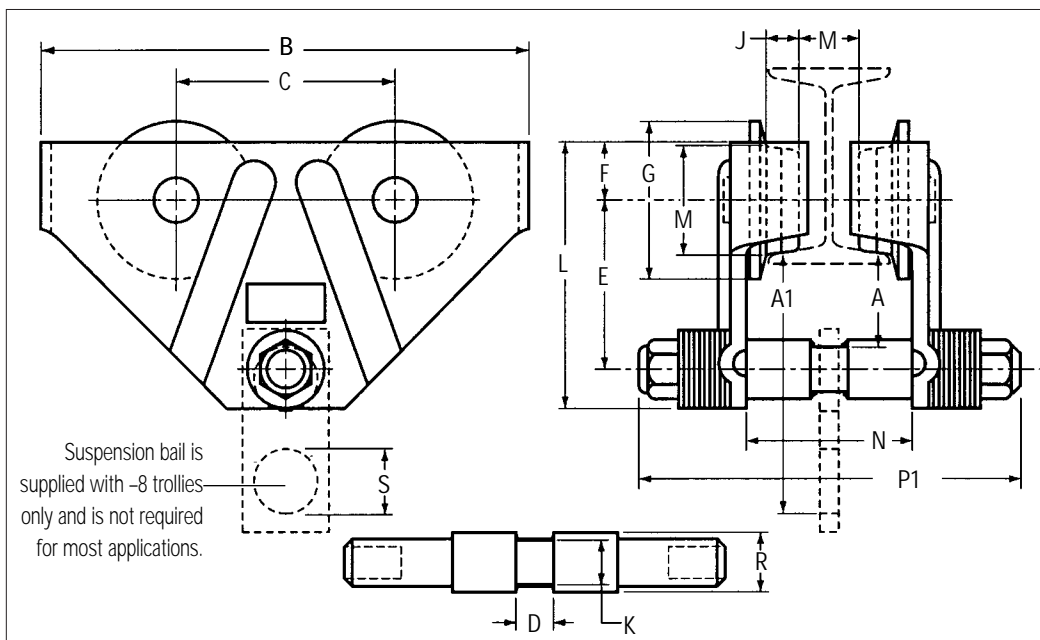
Model Number	A		A ₁ ^c		B		C		D		E		F		G		H	
	in.	mm	in.	mm	in.	mm	in.	mm	in.	mm	in.	mm	in.	mm	in.	mm	in.	mm
PT005-8A	2.50	64	6.125	156	10.00	254	4.50	114	1.00	25	4.00	102	1.12	29	3.43	87	2.25	57
PT010-8A	2.47	63	6.125	156	12.63	321	5.56	141	1.12	29	4.38	111	1.62	41	4.06	103	2.75	70
PT020-8A	2.47	63	6.06	154	14.88	378	6.50	165	1.18	30	5.18	133	1.31	33	5.75	146	4.25	108
PT030-8A	2.59	66	8.50	216	14.12	358	6.50	165	1.62	41	5.43	138	1.62	41	5.75	146	4.25	108
PT050-8A	2.56	73	8.50	216	15.44	392	6.75	171	1.31	41	5.75	146	2.25	57	6.18	157	4.38	111

Model Number	J		K		L		M ^y		N ^y		P ₁ ^c		R		S	
	in.	mm	in.	mm	in.	mm	in.	mm	in.	mm	in.	mm	in.	mm	in.	mm
PT005-8A	.88	22	.75	19	6.00	154	1.06	27	3.94	100	12.25	311	1.25	32	1.63	41
PT010-8A	.88	22	1.00	25	6.88	175	1.45	37	4.20	107	12.87	327	1.50	38	1.63	41
PT020-8A	1.25	32	1.18	30	7.50	191	.94	24	4.31	110	13.80	335	1.50	38	1.63	41
PT030-8A	1.25	32	1.43	37	8.50	216	1.62	41	5.38	137	14.12	359	2.00	51	2.56	65
PT050-8A	1.62	41	1.43	37	9.75	248	1.62	41	6.62	168	15.63	397	2.50	64	2.56	65

Specifications: PT-8 "Contractor" Series with Single 8" (205mm) Hanger Shaft

Base Trolley Model	Trolley Capacity		Fits beam flange width		Beam Height ^y		Curve radius ^y		Net weight		
	tons	lbs	kg	in.	mm	in.	mm	in.	mm	lbs	kg
PT005-8A	0.5	1100	500	2.66-8.06	68-205	4.0	102	36	914	20	9
PT010-8A	1.0	2200	1000	3.00-8.06	76-205	5.0	127	36	914	31	14
PT020-8A	2.0	4400	2000	3.33-8.06	85-205	6.0	152	48	1219	56	25
PT030-8A	3.0	6600	3000	4.00-8.06	102-205	8.0	203	60	1524	76	35
PT050-8A	5.0	11000	5000	4.66-8.06	118-205	10.0	254	60	1524	113	51

^yMinimum dimension



Pullers and Hoists – Silver Series

SL Lever Chain Hoist

3/4 – 6 Metric Ton Lifting Capacity

Give us a place to stand and we'll help you move the earth.

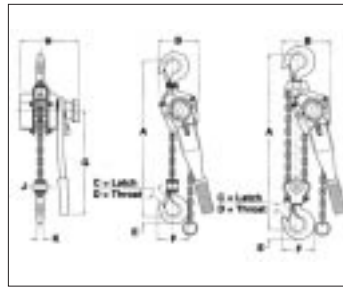
Archimedes' principle of leverage is improved yet again in the Silver Series Lever Chain Hoist. Meeting ANSI/ASME B30.16 and all pertinent world standards, the "-E" signifies compliance with Europe's EC95 Machinery Directive.

The patent pending "Arrow-Notch" free chain system is simple and reliable. Just one hand turns the indicator and operators will enjoy the easiest free chaining we have ever tested. Try to operate an SL in free chain mode and the brake instantly engages, holding the load, minimizing the risk of an accident.

Silver Series has a zinc-nickel-chrome plated finish. It's more durable and corrosion resistant than paint. Looks great too.

Plus the SL has the quality features you expect from Ingersoll-Rand.

- All steel construction.
- Hardened swivel-latch hooks.
- 360 degree handle rotation.
- Light weight.
- Rubber handle grip in all sizes.
- Low handle force.
- Reliable disc brake.
- Short handle stroke.
- Premium grade alloy chain.
- Standard lifts of 5, 10, 15 and 20 feet.



SL Series Dimensions

Model	A "Min."		B		C		D		E		F		G		H		J		K	
	in.	mm	in.	mm	in.	mm	in.	mm	in.	mm	in.	mm	in.	mm	in.	mm	in.	mm	in.	mm
SL100-L-EA	11.6	295	3.6	91	.91	23	1.03	26	.81	21	3.03	77	11.2	285	4.9	125	1.03	26	.54	14
SL150-L-EA	12.6	320	5.5	140	.952	24	1.1	27	.86	22	3.5	89	10.6	270	6.3	160	1.3	34	.62	16
SL200-L-EA	13.1	333	4.3	109	1.05	27	1.19	30	1.04	26	3.70	94	11.2	285	6.3	160	1.24	32	.63	16
SL300-L-EA	14.8	375	7.1	180	1.2	30	1.3	34	1.1	29	4.2	108	15.4	390	7.7	195	1.6	40	.80	21
SL600-L-EA	18.7	475	8.66	220	1.55	39	1.7	42	1.5	39	5.5	139	15.4	390	8.7	220	1.9	47	1.1	28
SL1200-L-EA	24	610	10.2	260	1.6	41	1.9	47	1.8	45	6.3	160	15.4	390	8.7	220	2.5	64	1.3	34

How to order:

Specify lift in feet in the L position of model #.

Example:

SL150-15-EA = 3/4 ton, with 15 ft. of lift.

5, 10, 15 and 20 feet lifts standard.

SL Series Dimensions

Base model	Capacity			Pull to lift rated load		Chain falls	Load chain size mm	Wt. of chain for extra lift		Hoist net wt. with standard 1.5 m (5 ft) of lift	
	metric ton	lbs	kg	lbs	kg			lbs/ft	kg/m	lbs	kg
SL100-L-EA	1/2	1100	500	77	35	1	5 x 15	0.36	0.53	11	5.0
SL150-L-EA	3/4	1650	750	68	31	1	6 x 18	0.53	0.79	15	7
SL200-L-EA	1/2	2200	1000	64	29	1	6 x 19	0.53	0.78	16	7.3
SL300-L-EA	1 1/2	3300	1500	73	33	1	7.1 x 21	1.73	1.10	24	11
SL600-L-EA	3	6600	3000	75	34	1	10 x 30	1.48	2.20	44	20
SL1200-L-EA	6	13200	6000	81	37	2	10 x 30	2.95	4.40	66	30

SM Manual Chain Hoist

1/2 – 5 Metric Ton Lifting Capacity

World Class performance in a world class hoist for all the world's markets! The Silver Series manual chain hoist meets ANSI/ASME B30. 16 and all pertinent world standards. The "E" signifies compliance with Europe's EC95 Machinery Directive.

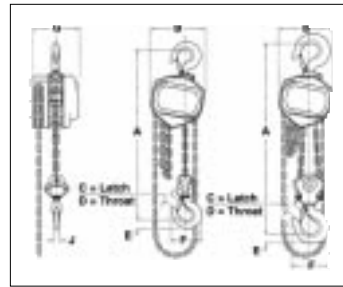
Hardened steel rollers supporting the load sheaves run smoother and last longer than bearings. Maintenance costs are minimal. Silver SeriesSM is ideal for rental fleets.

Spur gear efficiency reduces operator effort. Double paul and double guide rollers enhance performance, safety and reliability.

The zinc-nickel-chrome finish is more durable and corrosion resistant than paint. Looks great too.

Plus the SM has the quality features you expect from Ingersoll-Rand.

- All steel construction
- Reliable disc brake
- Premium grade alloy load chain
- Zinc plated hand chain
- Hardened swivel-latch hooks
- Low headroom, light weight
- Standard lifts of 10, 15, and 20 feet.
- Hand chain drop is 2 ft. less than lift.



SM Series Dimensions

Model	A "Min."		B		C		D		E		F		G		H		J	
	in.	mm	in.	mm	in.	mm	in.	mm	in.	mm	in.	mm	in.	mm	in.	mm	in.	mm
SM005-L-D-EA	11.6	295	5.3	135	.82	21	.85	22	.60	15	2.8	71	4.2	107	1.0	26	.59	15
SM010-L-D-EA	13	330	5.7	145	1.0	26	1.1	28	.78	20	3.6	92	5.1	129	1.3	32	.75	19
SM015-L-D-EA	16.1	410	7.6	193	1.1	27	1.2	30	.97	25	4.1	105	5.8	147	1.4	36	.87	22
SM020-L-D-EA	17.7	450	5.7	145	1.2	30	1.3	32	1.1	28	4.5	113	5.1	129	1.9	48	.98	25
SM030-L-D-EA	20.7	525	7.6	193	1.4	35	1.5	37	1.4	35	5.1	130	5.8	147	2.2	56	1.1	29
SM050-L-D-EA	24	610	8.3	210	1.5	39	1.7	42	1.7	43	5.9	150	6.6	168	2.7	68	1.3	34

How to order:

Specify lift in feet in the L position and hand chain drop in the D position.

Example:

SM010-10-8-EA = 1 ton, with 10 ft. of lift and 8 ft. of hand chain drop.

SM Series Specifications

Base Model	Capacity			Pull to lift rated load		Hand chain overhauled to lift load (1 ft) 0.3 m		Chain falls	Load chain size mm	Combined wt. of chain for extra lift		Hoist net wt. with std. (10 ft) 3 m of lift	
	metric ton	lbs	kg	lbs	kg	ft	m			lbs/ft	lbs/ft	lbs	kg
SM005-L-D-EA	½	1100	500	46	21	25	7.6	1	5.0 x 15	1.1	1.6	18	8
SM010-L-D-EA	1	2200	1000	75	34	39	11.9	1	6.3 x 19	1.3	1.9	26	12
SM015-L-D-EA	1½	3300	1500	84	38	58	17.7	1	8.0 x 24	1.5	2.2	39	18
SM020-L-D-EA	2	4400	2000	79	36	75	22.9	2	6.3 x 19	1.9	2.8	35	16
SM030-L-D-EA	3	6600	3000	88	40	116	35.4	2	8.0 x 24	2.1	3.2	55	25
SM050-L-D-EA	5	11000	5000	95	43	187	57.0	2	9.0 x 27	3.1	4.6	86	39

One metric ton = 2200 lbs./One meter = 3.28 ft.

The Ingersoll-Rand Warranty, Your Assurance of Top Quality

Your Ingersoll-Rand tools are constructed using the finest designs and materials to deliver power and performance by design.

As an automotive professional, you know how important it is to lubricate your tools and check them regularly. With simple, routine care, your tools will give you years of trouble-free service, backed by the Ingersoll-Rand warranties which come with every tool you buy.

One Year Limited Warranty

Ingersoll-Rand Company (the "Company") warrants to the original user the automotive power tools (the "Product") to be free of defects in material and workmanship for a period of 1 year from the date of purchase by such user. The Company shall, at its option, either repair or replace, free of charge, any Product found, upon the Company's inspection, to be so defective, or if agreed upon, refund the purchase price, less a reasonable allowance for depreciation, in exchange for the Product. For this warranty to be effective: (i) the Company must be notified within the 1 year period by return of any alleged defective Product free and clear of all liens and encumbrances to the Company or its authorized warranty service distributor, transportation prepaid; (ii) the Product must not have been abused, misused or improperly maintained and/or repaired during such period; and (iii) such defect must not have been caused by ordinary wear and tear. THE COMPANY MAKES NO OTHER WARRANTY, AND ALL IMPLIED WARRANTIES INCLUDING ANY WARRANTY OF MERCHANTABILITY OR FITNESS FOR A PARTICULAR PURPOSE ARE LIMITED TO THE DURATION OF THE EXPRESSED WARRANTY PERIOD AS SET FORTH ABOVE. THE COMPANY'S MAXIMUM LIABILITY HEREUNDER IS LIMITED TO THE PURCHASE PRICE OF THE PRODUCT. IN NO EVENT SHALL THE COMPANY BE LIABLE FOR ANY CONSEQUENTIAL, INDIRECT, INCIDENTAL OR SPECIAL DAMAGES OF ANY NATURE ARISING FROM THE SALE OR USE OF THE PRODUCT, WHETHER IN CONTRACT, TORT OR OTHERWISE.

NOTE:

Some states do not allow limitations on incidental or consequential damages or how long an implied warranty lasts so that the above limitations may not apply to you. This warranty gives you specific legal rights and you may also have other rights which may vary from state to state.

Air Tool Operation and Maintenance

Ingersoll-Rand air tools are rugged and long wearing, built to take continual punishment in the roughest service. But even the toughest air tool can't protect itself against continued neglect or misuse. You can get your money's worth in performance and service by following these simple operation and preventative maintenance suggestions:

1. Keep tools cleaned and lubricated. When you've finished using them at the end of the day, put a teaspoon of oil in the air inlet and operate the tool briefly to circulate the oil through the tool. It will protect the tool from rust until it's used the next day.
2. Air tools need clean air. Dust, corrosive fumes, and excessive moisture can all wreck the mechanism of an air tool. An inline filter and lubricator can greatly increase the life of an air tool. The filter removes the dust and moisture while the lubricator meters the proper amount of lubrication to the tool for top performance.
3. Low air pressure reduces the speed of all air tools. It also wastes mechanic's time and causes expensive delays. Be sure that your air system is properly designed to deliver a minimum of 90 PSI at the tool inlet with the tool running.
4. Have your air tool checked regularly. You have your car inspected from time to time — do the same for your tools. Service and Parts Distributors provide repair service that will bring tools up to original performance capacity.
5. Use proper hose and fittings. They are essential for top performance of your air tools. An otherwise adequate compressor can be choked if the wrong piping and fittings are used in the piping system.
6. Never use hand sockets with air or electric impact wrenches. Chrome hand sockets are "glass hard" and can shatter under the tremendous energy in today's high performance air impact wrenches. People have been seriously injured when using chrome sockets on power tools.
7. Always match the speed rating of an accessory with the tool speed. Overspeeding an accessory is just plain dangerous.
8. Wear safety glasses when using any power tools. Never take any risks with your eyes.

Electric Tool Operation and Maintenance

You've invested in your electric tools because they can help you work better and faster. To get maximum performance from the tools, you should use them properly and give them the care they need. Reasonable care and simple preventative maintenance will pay off in increased tool efficiency and longer service.

General. Don't overload electric tools. Use the tool that's rated for the job you're doing. Carry the tool by the handle instead of dragging it by the cord. It's bad for the cord and might also damage the housing.

Proper Voltage. Always make sure that you are operating your electric tool within the voltage range recommended. The proper voltage ranges for Ingersoll-Rand electric tools based on their rated voltage are shown in the following table. The tools labeled for these voltages will operate efficiently over these voltage ranges:

120 volt-range 110 to 125 volts

Service Instructions. All repairs and maintenance of the electrical components, armature, field brushes, switches, and cords of either double insulated or three-wire grounded tools must be performed by a Service and Parts Distributor.

Reference U.L. 45, Standard for Portable Electric Tools, Par 27.2.

Grounding. All Ingersoll-Rand electric tools (except double-insulated models) are equipped with three-conductor cords. When using an extension cord, you should make sure it has a grounding conductor and three-wire grounding type connector. Grounding adapters are provided with the tool when specified. To use the adapter, first determine if the system is grounded. If the electrical system is grounded, connect the green wire of the adapter to a mounting screw of the receptacle. For ungrounded electrical systems, attach the green wire to a known permanent ground. CAUTION: Water pipes are sometimes isolated from ground by insulated water meters.

Lubrication. Follow the instructions packed with the tool for proper lubrication. Change gear case lubricant at the intervals recommended. Clean lubricant keeps gear wear to a minimum. If the bearings are lubricated through a fitting, use a collapsible tube of lubricant. Do not use a high pressure grease gun. Apply lubricant sparingly; if the bearings are packed too full, they will run hot.

Ventilation. Motor housings on electric tools are designed to allow free passage of cooling air. The inlet and outlet air passages must be kept clear to ensure that the motor runs cool. Accumulated dust should be blown out of the motor frame with an air jet.

Service and Parts Distributors

Alabama

Alabama Jack Co.
1140 5th Avenue North
Birmingham, AL 35203
Telephone: (205) 251-8156
Fax: (205) 323-4367
1-800-749-5225

Power Tool Service, Inc.
1113 Fourth Avenue, South
Birmingham, AL 35233
Telephone: (205) 323-4311
Fax: (205) 323-1946

Tool Specialty
141 Commerce Court
Pelham, AL 35124
Telephone: (205) 733-9292
Telephone: (800) 554-4516
Fax: (205) 733-9299

Arizona
Les Book Sales & Service, Inc.
2032 N. 27th Avenue
Phoenix, AZ 85009
Telephone: (602) 272-9188
Fax: (602) 278-3254

Mechanics Tool Service
1301 Apache Park Place
Tucson, AZ 85714
Telephone: (520) 889-8484
Fax: (520) 889-8668

Superior Tool
1430 North 27th Avenue
Phoenix, AZ 85009
Telephone: (602) 272-9211
Fax: (602) 272-9228

Arkansas

Air Power, Inc.
11000 East Otter Creek
Mabelvale, AR 72103
Telephone: (501) 455-6116
Fax: (501) 455-5504

California

Fejes Tool Services
139 W. Victoria Street
Gardena, CA 90248
Telephone: (310) 515-1800
Fax: (310) 515-4751

Jack X Change
1609 N. Orangethrope Way
Anaheim, CA 92801
Telephone: (714) 871-4966
Fax: (714) 871-4591

Kimmerle Brothers
337 M Street
Fresno, CA 93721
Telephone: (209) 233-1278
Fax: (209) 233-4678

Kimmerle Brothers
226 11th Street
San Francisco, CA 94103
Telephone: (415) 431-1163
Fax: (415) 431-1693

Kimmerle Brothers
12060 East Florence
Santa Fe Springs, CA 90670
Telephone: (310) 946-6771
Fax: (310) 444-3473

Quality Air Tool Repair
10734 Kenney Street #C
Santee, CA 92071
Telephone: (619) 258-5817
Fax: (619) 258-8982

Tommy Thompson Tool Service
17451 Nichols #G
Huntington Beach, CA 92647
Telephone: (714) 375-7722
Fax: (714) 375-7724

Colorado

A-Pro Tool
1950 W. 13th Avenue #2
Denver, CO 80204
Telephone: (303) 623-3743
Fax: (303) 623-7422

Connecticut

Air Tool Sales & Service
1 Burnham Avenue
Unionville, CT 06085
Telephone: (203) 673-2714
Fax: (203) 675-8148

Florida

Central Hydraulic Service
3423 LaSalle Street
Tampa, FL 33607
Telephone: (813) 876-1492

Nestor Precision Tool Company
7337 Brian Dairy Road
Largo, Florida 33777
Telephone: (813) 544-6114
Fax: (813) 544-6211

Reliable Tool Service
6533 Southern Boulevard
West Palm Beach, FL 33413
Telephone: (407) 689-1676
Fax: (407) 689-1676

Tool Shack
225 South Edgewood Avenue
Jacksonville, Florida 32254
Telephone: (904) 387-1466
Fax: (904) 384-8120

Tool Warehouse, Inc.
4505 S.W. 36th Street
Ft. Lauderdale, FL 33314
Telephone: (954) 797-8665
Fax: (954) 792-9999

Georgia

Tool Service Company
249 Alexander Street NW
Atlanta, GA 30313
Telephone: (404) 524-4249
Fax: (404) 688-6354

Hawaii

Air and Hydraulic Service
842 Ilianiwai Street
Honolulu, HI 96813
Telephone: (808) 536-5291

All-Trade Supply
73-5563 Malau Street
Kailua-Kona, HI 96740
Telephone: (808) 329-0516

Idaho

H & S Power Tool
121 E. 44th Street - Suite A
Boise, ID 83711
Telephone: (208) 321-1305
Fax: (208) 321-1307

Illinois

Illinois Tool Service
1485-J Landmeier Road
Elk Grove, IL 60007
Telephone: (847) 228-1902
Fax: (847) 228-1913

J&R Hydraulic
3616 S. Archer
Chicago, IL 60609
Telephone: (773) 247-6107
Fax: (773) 247-8681

Indiana

VAMACO
919 North East Avenue
Indianapolis, IN 46202
Telephone: (317) 632-1594
Fax: (317) 632-2267

Iowa

Iowa Pneumatic & Repair
7420 University Avenue
Des Moines, IA 50325
Telephone: (515) 274-3726
Fax: (515) 274-3725

Kansas

Wichita Air and Hydraulic Service
2002 West 2nd Street
Wichita, KS 67203
Telephone: (316) 943-1865
Fax: (316) 943-9415

Kentucky

Smiley's Air Tools
4552 Poplar Level Road
Louisville, KY 40213
Telephone: (502) 966-3433
Fax: (502) 966-3910

Tool Service Repair
1200 Goss Avenue
Louisville, KY 40217
Telephone: (502) 635-6888
Fax: (502) 634-1931

Louisiana

Beerman Precision
Machine Works, Inc.
4206 Howard Avenue
New Orleans, LA 70125
Telephone: (504) 486-9391
Fax: (504) 486-7482

Shreveport Air Tool, Inc.
125 Freestate Boulevard
Shreveport, LA 71107-7841
Telephone: (318) 227-9412
Fax: (318) 227-0013

Tool Service
953 Louisiana Avenue
Shreveport, LA 71107
Telephone: (318) 222-9249 or
Telephone: (800) 333-2853
Fax: (318) 221-0667

Massachusetts

Panda Electrical Service
165-169 Main Street
Everett, MA 02149
Telephone: (617) 389-1442
Fax: (617) 389-6823

Somerset Jack
114 Broadway
Somerville, MA 02145
Telephone: (617) 623-9599
Fax: (617) 623-0376

Michigan

Gezon Tool Service, Inc.
322 Rumsey S.W.
Grand Rapids, MI 49503
Telephone: (616) 451-2725
Fax: (616) 451-2728

K-Repairs
3111 Wixom Road
Wixom, MI 48393
Telephone: (248) 669-5000
Fax: (248) 669-5015

Re Nu Electric
20163 John R.
Detroit, MI 48203
Telephone: (313) 366-1570
Fax: (313) 366-1728

Minnesota

Delegard Tool
205 East 78th Street
Bloomington, MN 55420
Telephone: (612) 881-8683
Fax: (612) 881-6656

Reed's Sales and Service
1260 Payne Avenue
St. Paul, MN 55101
Telephone: (612) 774-9515

Tool Warehouse, Inc.
1220 Division Street
Waite Park, MN 56387
Telephone: (320) 253-7150
Fax: (320) 253-5905

Missouri

Authorized Equipment Co.
3200 Chouteau Avenue
St. Louis, MO 63103
Telephone: (314) 772-8024

Clark's Tools
817 W. 40 Hwy
Blue Springs, MO 64015
Telephone: (816) 228-9885
Fax: (816) 228-2062

Montana

Industrial Tool and Repair
2123 2nd Avenue N.
Billings, MT 59101
Telephone: (405) 252-8114
Telephone: (800) 423-0167(MT)

Industrial Tool and Repair
1715 West Central Ave.
Missoula, MT 59801
Telephone: (405) 542-0662

Nebraska

Thacker Electric
8517 "I" Street
Omaha, NE 68127
Telephone: (405) 922-9433
Fax: (402) 592-3768

Nevada

Discount Tool Repair
3343 Losee Road #1
Las Vegas, NV 89030
Telephone: (702) 657-6570
Fax: (702) 657-8022

New Hampshire

ADM Tool
91 Maple Street
Manchester, NH 03103
Telephone: (603) 623-2975
Fax: (603) 623-2975

New Jersey

Bergen Pneumatic
323 Hudson Street
Hackensack, NJ 07601
Telephone: (201) 488-2606
Fax: (201) 488-7592

Hillside Tool
352 Rt. 23N
Pompton Plains, NJ 07444
Telephone: (973) 839-2344
Fax: (973) 839-2965

M.A.T.S. Inc.
315 Benjamin Ave.
Iselin, NJ 08830
Telephone: (732) 283-0715
Fax: (732) 283-3688

New Mexico

Santa Fe Tool Company
9307 Central, N.E.
Albuquerque, NM 87123
Telephone: (505) 294-5000
Fax: (505) 292-7134

New York

Ace Hydraulics and Pneumatics
620 V.I.P. Parkway
Syracuse, NY 13211
Telephone: (315) 479-6882
Fax: (315) 479-6943

Air Tool Repair
160 Holtz Drive
Cheektowaga, NY 14225
Telephone: (718) 631-9010
Fax: (718) 634-5520

Byrne Compressed Air
796 E. 140th Street
Bronx, NY 10454
Telephone: (718) 292-7726
Fax: (718) 993-3376

Chuck's Equipment
515 Beach 72nd Street
Rockaway, NY 11692
Telephone: (718) 474-7457
Fax: (718) 474-7634

Five Boro Pneu Tonics
798 E. 43rd Street
Brooklyn, NY 11210
Telephone: (718) 338-8911
Fax: (718) 338-8914

NY Tech Supply
2424 Syracuse-Cortland Road
P.O. Box 180
LaFayette, NY 13084
Telephone: (315) 677-3828
Fax: (315) 677-9152

Pro Tool
110 N. Church Street
Goshen, NY 10924
Telephone: (914) 294-2645

United Electric Motors
106 Michigan Avenue
Buffalo, NY 14204
Telephone: (716) 855-1945
Fax: (716) 852-2589

North Carolina

Portable Tool Service
3209 Cullman Avenue
Charlotte, NC 28206
Telephone: (704) 332-3578
Fax: (704) 375-1080

Ohio

Tri County Power Tools Company
4597 Pearl Road
Cleveland, OH 44109
Telephone: (216) 398-6120
Fax: (216) 398-6121

Central Ohio Power Tools
1042 Dublin Road
Columbus, OH 43215
Telephone: (614) 481-2111
Fax: (614) 481-2112

Independent Equipment
5415 Gallia Street
Sciotoville, Ohio 45662
Telephone: (614) 776-2154
Fax: (614) 776-2429

Power Tool Repair, Inc.
891 Moe Drive, Suite H
Akron, OH 44310
Telephone: (330) 630-0022
Fax: (330) 630-3320

Oklahoma

Hydraulic Equipment Company
515 South Broadway
P.O. Box 25157
Oklahoma City, OK 73125
Telephone: (405) 235-3318

Oregon

Charles H. Day Co., Inc.
602 S.E. 11th Avenue
Portland, OR 97214
Telephone: (503) 232-1659
Fax: (503) 232-9821

Pennsylvania

C and E Pneumatic Service
301 Poplar Street
Hanover, PA 17331
Telephone: (717) 632-5200
Fax: (800) 830-6146

Ideal Tool Service
456 North Street
Philadelphia, PA 19123
Telephone: (215) 925-0672
Fax: (215) 440-9786

Mac's Hydraulic Jack
& Equipment Service
121 Putnam Street
Pittsburgh, PA 15206
Telephone: (412) 361-1555
Fax: (412) 361-2855

Power Tool Service
38 West Allen Street
Mechanicsburg, PA 17055
Telephone: (717) 697-8233
Fax: (717) 697-7256

Tri State Air Tool Repair
54 Sharpville Road
Sharon, PA 16146
Telephone: (412) 346-3440
Fax: (412) 346-1225

Rhode Island

Tri-Power Sales & Service
64 Minnesota Avenue
Warwick, RI 02888
Telephone: (401) 732-3930

South Carolina

Quality Air Tool Repair
2922 Republic Avenue
Florence, SC 29501
Telephone: (803) 395-1999
Fax: (803) 395-1995

Tennessee

Advanced Tool Service
2701 E. 47th Street
Chattanooga, TN 37407
Telephone: (423) 867-3808
Fax: (423) 867-3840

Authorized Equipment Service
812 Polk
Memphis, TN 38126
Telephone: (901) 774-0850
Fax: (901) 942-9487

Jones Tool Service
1314 Madison Avenue
Memphis, TN 38104
Telephone: (901) 726-0191
Fax: (901) 725-5545

Lubrication Equipment Service
2501 Mitchell Street
Knoxville, TN 37917
Telephone: (423) 525-8401
Fax: (423) 637-6275

Power Tool Service
1105 Elm Hill Pike - Suite 130
Nashville, TN 37201
Telephone: (615) 255-8227
Fax: (615) 254-8229

Texas

Air & Electric Tool Co. (AETCO)
2326 Myrtle Springs Avenue
Dallas, TX 75220
Telephone: (972) 869-8277
Fax: (972) 869-1332

Air & Electric Tool Co.
3301 S. Grove
Fort Worth, TX 76110
Telephone: (817) 921-0231
Fax: (817) 927-5538

Air Tool Xpress
5416 Schertz Road
San Antonio, TX 78233
Telephone: (210) 655-7039
Fax: (210) 655-7445

Hydraulic Equipment Service
328 Avenue H
Lubbock, TX 79401
Telephone: (806) 763-7621
Fax: (806) 763-4209

Power Tool Service
3718 Polk
Houston, TX 77003
Telephone: (713) 228-0100
Fax: (713) 228-0619
(800) 327-2156

Reliable Tool Service, Inc.
2503 W. Mockingbird
Dallas, TX 75235
Telephone: (214) 353-9514
Fax: (214) 358-5852

Sankey Equipment Company
925 Avenue "B"
San Antonio, TX 78215
Telephone: (210) 227-4178
Fax: (210) 228-0377

Westbrooks, Inc.
Box 534
2012 Sheppard Access
Wichita Falls, TX 76204
Telephone: (940) 723-4181
Fax: (940) 723-4190

Utah

H.K. Power Tool Service
1726 Major
Salt Lake City, UT 84115
Telephone: (801) 487-9848
Fax: (801) 487-9840

Lee Tool and Machinery
3412 S. 300 West "A"
Salt Lake City, UT 84115
Telephone: (801) 487-3687
Fax: (801) 487-3689

Virginia
Hydraulic Service
3215 Victory Boulevard
Portsmouth, VA 23702
Telephone: (804) 487-2513
Fax: (804) 487-4381

Pneumatic Systems
1605 Commerce Road
Richmond, VA 23224
Telephone: (757) 230-3500
Fax: (757) 230-3576

Washington
Ace-Rock/Saw Clinic
3014 North Market Street
Spokane, WA 99207
Telephone: (509) 536-5175
Fax: (509) 891-1306

Universal Repair Shop
1611 Boylston Avenue
Seattle, WA 98122
Telephone: (206) 322-2726
Fax: (206) 322-2126

West Virginia
Air-Tech Tool Service, Inc.
325 City Avenue
Beckley, WV 25801
Telephone: (304) 253-6799
Fax: (304) 253-7706

Wisconsin
Power Tool Service
310 North Webster Avenue
Green Bay, WI 54301
Telephone: (414) 437-2594
Fax: (414) 432-0726

Professional Tool Center
2236 South 116th Street
West Allis, WI 53227
Telephone: (414) 321-1234
Fax: (414) 543-1741

Contact Information

United States

Marketing and Sales

Headquarters

Ingersoll-Rand Tool and Hoist Division
P.O. Box 1776
Liberty Corner, NJ 07938
Telephone: (908) 647-6000
Fax: (908) 604-1254

Distribution Center

Ingersoll-Rand Tool and Hoist Division
510 Hester Drive
White House, TN 37188
Telephone: (615) 672-0321
Fax: (615) 672-7679



TECHNICAL QUESTIONS?
1-800-866-5457

How to obtain regular repair service.

Bring or send the complete tool prepaid to the nearest Service and Parts Distributor listed on page 63. State the following information on the packing list.

1. The nature of the trouble.
2. Stipulate if you want an estimate of the cost involved before proceeding with repairs.

How to obtain individual repair parts.

Individual repair parts may be obtained through your nearest Service and Parts Distributor. Please give him the I-R number of your tool and part number and description from the parts list.

How to obtain warranty repair service.

Bring or send the complete tool prepaid to the nearest Service and Parts Distributor listed on page 63 and state the following information on the packing list:

1. The nature of the trouble or failure.
2. Name and address of Jobber or Distributor from whom you purchased the tool.
3. Date tool was purchased and Proof of Purchase.
4. Application on which tool presently is being used.

Canada

Production Equipment Group

Ingersoll-Rand Canada Inc.
51 Worcester Road
Rexdale, Ontario M9W 4K2
Telephone: (416) 213-4500
Fax: (416) 213-4510

Regional Offices

1430-5555 Calgary Trail, N.W.
Calgary, Alberta, T6H 5P9
Telephone: (403) 438-5039
Fax: (403) 437-3145

3501 St. Charles Boulevard
Kirkland, Quebec H9H 4S3
Telephone: (514) 695-9040
Fax: (514) 695-0963

Ingersoll-Rand Canada, Inc.
1200 Cliveden Avenue
Delta, BC
V3M 6G4
Telephone: (604) 523-0803
Fax: (604) 523-0801

Latin America

Latin America Operations

Ingersoll-Rand Tool and Hoist Division
730 N.W. 107th Avenue
Suite 300
Miami, FL 33172-3107
Telephone: (305) 559-0500
Fax: (305) 559-7505

Regional Office

Ingersoll-Rand Production
Equipment Group Brazil
R. Dr. Cardoso de Mello
1855 Coujunta 11
Sao Paulo, SP 04548-005
Brazil
Telephone: (55-11) 822-7400
Fax: (55-11) 866-4985

Europe/Middle East/Africa

Ingersoll-Rand European
Distribution Center
5-7, Avenue A. Einstein
78192 Trappes Z.I. France
Telephone: 33 (1) 34 82 29 00
Fax: 33 (1) 34 82 29 01

Asia/Pacific

Administrative Headquarters

Ingersoll-Rand Tool & Hoist Division
Ste. 1201, 12/F.,
Central Plaza
18 Harbour Road,
Wanchai, Hong Kong
Telephone: (852) 2527-0183
Fax: (852) 2529-5976

Regional Offices

Ingersoll-Rand Australia Ltd.
80-100 Frankston Road
Dandenong VIC 3175
Australia
Telephone: (61-3) 9794-1611
Fax: (61-3) 9794-7895

Ingersoll-Rand Japan Ltd.
Yokohama Square Building
5th floor
2-3-12 Shin Yokohama
Kouhoku-Ku, Yokohama Shi
Kanagawa Pref. 222
Japan
Telephone: (81-45) 476-7801
Fax: (81-45) 476-7806

Ingersoll-Rand SEA (Pte) Ltd.
42 Benoi Road
Jurong
Singapore 629903
Telephone: (65) 861-1555
Fax: (65) 862-1373





Owni**O**wning the best tools for the job is important to any professional. They say a lot about your skills and the care you bring to the job. They've got to be ready to work when you are – time is money in automotive service. And your tools must be ready for every task. That's why more and more professional mechanics and quality conscious do-it-yourselfers are choosing Ingersoll-Rand automotive tools.

With almost 100 different products, plus a full line of matched accessories, Ingersoll-Rand meets nearly every service industry need. Our automotive power tools offer you unmatched power for loosening the most stubborn bolts, superior control for working in tight spaces, and precision to help you create masterpieces of fine finishing. IR tools feel right in your hands, and deliver MORE POWER – making your work easier, faster, and more profitable.

INGERSOLL-RAND®
PROFESSIONAL TOOLS

Tool and Hoist Division
Ingersoll-Rand Company
P.O. Box 1776
Liberty Corner, NJ 07938